

LIGHT STRIP CONTROLLER (40 LEDs)



GAMING, AMUSEMENT AND INDUSTRIAL COMPONENTS

V1.2

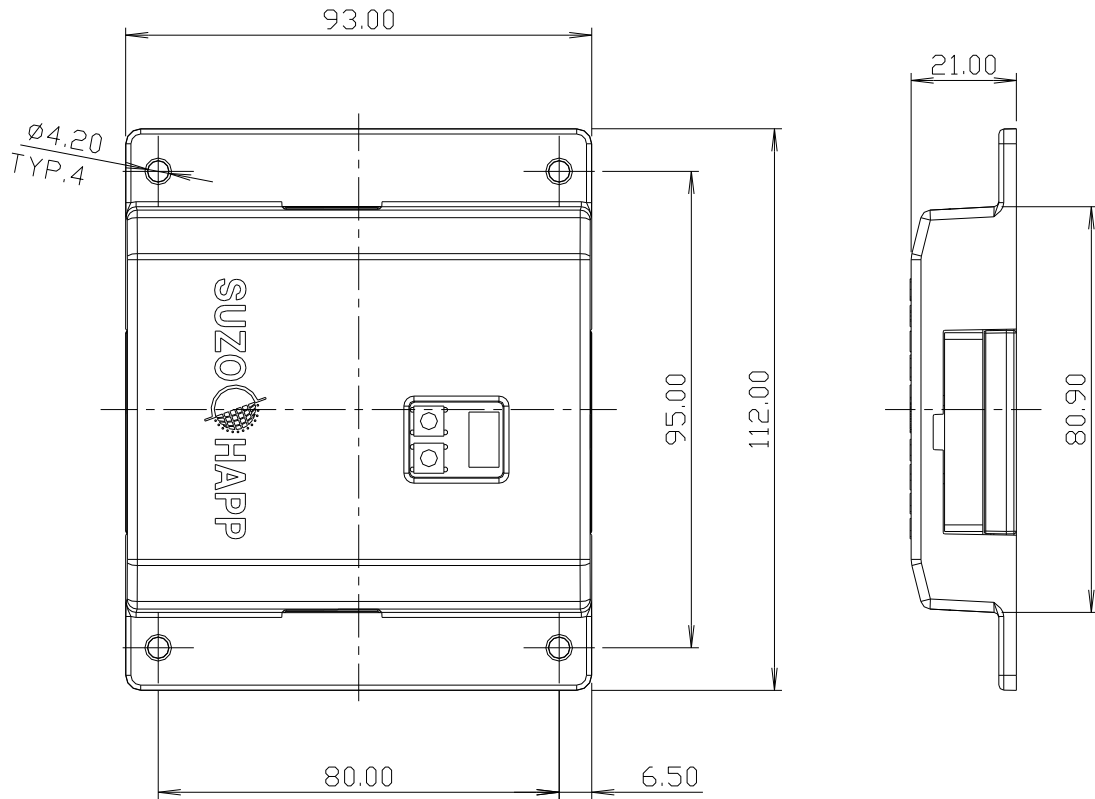


Order Number: 104-0062

LIGHT STRIP CONTROLLER (40 LEDs)

Warning: In case of removal of the diffuser bezel do not look straight into the LED's since this may cause serious eyes injuries!

LIGHT STRIP CONTROLLER (40 LEDs)

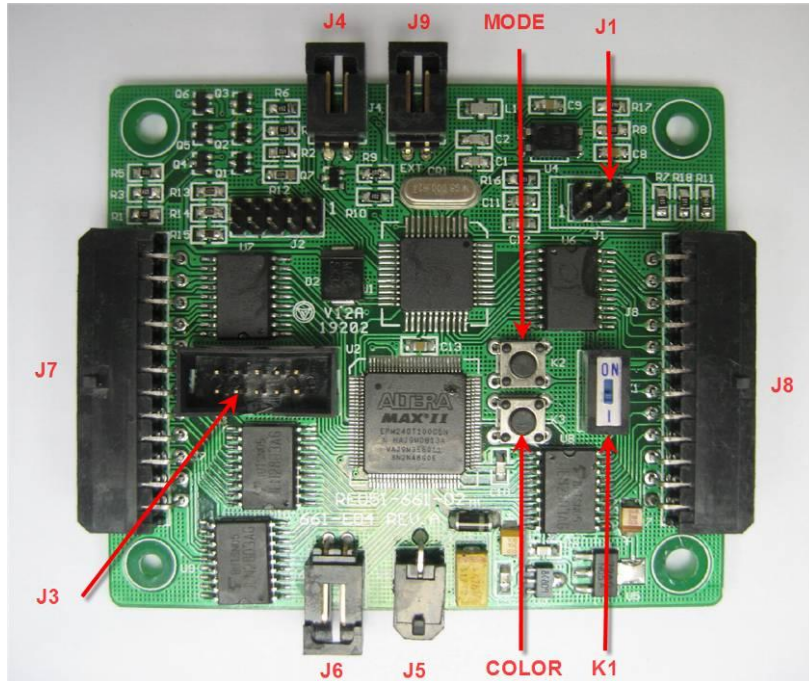


DIMENSIONAL DRAWING

IMPORTANT:

1. Shut-off power from host machine during installation.
2. Power supply to Topper: 12VDC 3A.
3. For best performance, synchronize cable (J2 / J4) should not be longer than 10M.
Extended cable should comply with UL 2464.

LIGHT STRIP CONTROLLER (40 LEDs)



CONNECTOR J1 (MCU PROGRAMMING)

PIN. NO.	1	2	3	4	5	6
FUNCTION	MISO	+5V	SCK	MOSI	RESET	GND

CONNECTOR J3 (CPLD PROGRAMMING)

PIN. NO.	1	2	3	4	5	6	7	8	9	10
FUNCTION	TCK	GND	TDO	+3.3V	TMS	-	-	-	TDI	GND

CONNECTOR J4 / J6 (SYNC)

PIN. NO.	1	2
FUNCTION	GND	TXD/RXD

CONNECTOR J5 (POWER IN)

PIN. NO.	1 (Pin bottom)	2 (Pin top)
FUNCTION	+12V	GND

CONNECTOR J9 (CONTROL)

PIN. NO.	1	2
FUNCTION	GND	TXD/RXD

CONNECTOR J7 (LIGHT STRIP - 1)

PIN. NO.	1	2	3	4	5	6	7	8	9	10	11	12
FUNCTION	R	G	B	D1	D2	D3	D4	D5	D6	D7	D8	D9
PIN. NO.	13	14	15	16	17	18	19	20	21	22	23	24
FUNCTION	D10	D11	D12	D13	D14	D15	D16	D17	D18	D19	-	D20

CONNECTOR J8 (LIGHT STRIP - 2)

PIN. NO.	1	2	3	4	5	6	7	8	9	10	11	12
FUNCTION	R	G	B	D21	D22	D23	D24	D25	D26	D27	D28	D29
PIN. NO.	13	14	15	16	17	18	19	20	21	22	23	24
FUNCTION	D30	D31	D32	D33	D34	D35	D36	D37	D38	D39	-	D40

LIGHT STRIP CONTROLLER (40 LEDs)

Optional

- 104-0011 Adaptor cable for power supply 103-0005
- 103-0005 Power supply 12V 5A
- 117-0135 Molex connector 2 pole (43025-0200) for power in (J5)
- 117-0036 Pin Molex connector (43025-0007) for power in (J5)

Features:

- Setting Color for Topper

You may select flashing color set out of seven pre-defined combinations as below:

- A. Press COLOR button on the main control board once - Topper will switch to next and stay on this color set until COLOR button is activated again.
- B. Last color setting will be stored to memory when power off.
- C. The seven color sets are defined as follow:
 1. Red - Blue - White (Default setting)
 2. Green - White - Red
 3. White - Yellow - Red
 4. Yellow - White - Blue
 5. Blue - Purple - White
 6. Green - Blue - Yellow
 7. Green - Red - Blue

- Setting Flashing Pattern for Topper

You may select flashing patterns as below:

- A. Cycling through 7 pre-programmed flashing patterns (Default setting)
- B. Press MODE button once - Topper will switch to next flashing pattern and stay on this pattern until MODE button is activated again.
- C. Press and hold MODE button for 3 seconds - Topper will resume to default setting and cycle through the pre-programmed patterns.
- D. Last flashing mode will be stored to memory when power off.

LIGHT STRIP CONTROLLER (40 LEDs)

- Synchronize Connected in Series

You may synchronize color and flashing pattern for Light Strip connected in series through standard RS232C COM port as below:

- A. Connect Units with synchronize cable (J4 / J6) to series link connector as shown on page 3.
- B. Set switch K1 to ON position for the MASTER unit. Others set SWITCH (K1) on OFF position.
- C. Conduct above settings to change color and /or flashing pattern through MASTER unit.

Note: The specifications and information contained here are for quick reference only and are subject to change without notice. For detail product specification, please refer to formal product documentation.