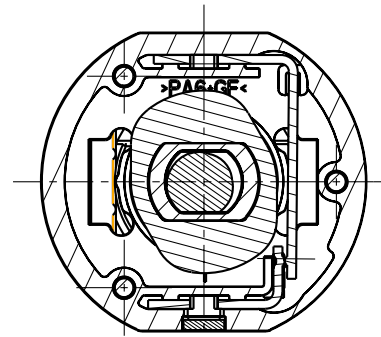
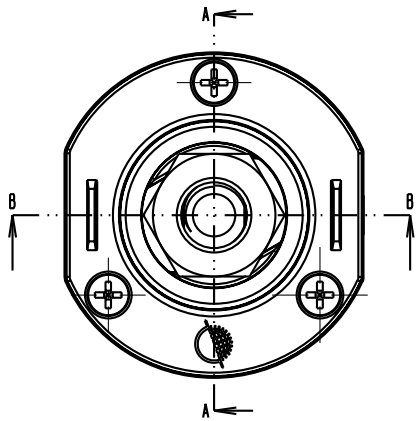
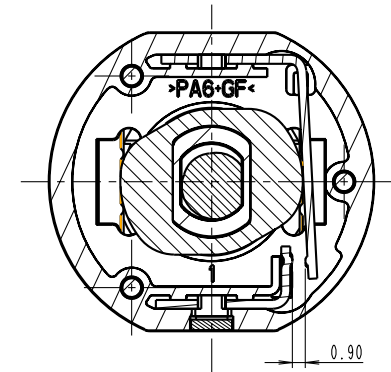


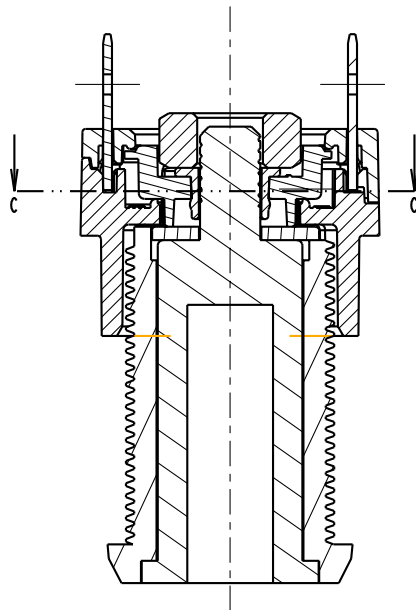
REV.	DESCRIPTION	DRAWN BY	CHECKED BY	DATE
A	INITIAL RELEASE	Z.Y.		2010-11-03



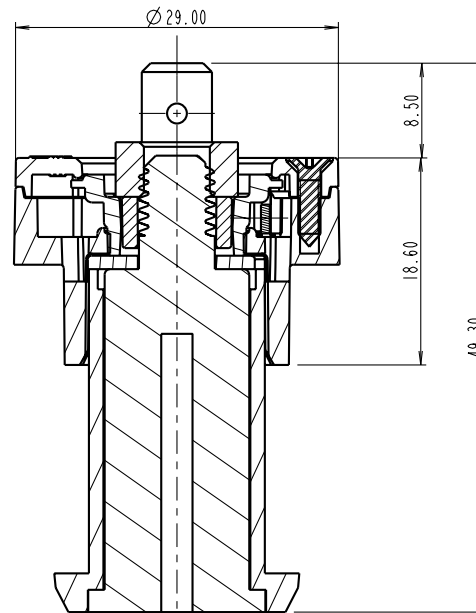
SECTION C-C (UNLOCK)



SECTION C-C (LOCK)



SECTION B-B



SECTION A-A

Range	0 ~ 3	3 ~ 15	15 ~ 30	30 ~ 50	50 ~ 120	120 ~ 160	160 ~ 200
Tol. (+/-)	0.05	0.075	0.10	0.15	0.20	0.25	0.30
Range	200 ~ 250	250 ~ 310	310 ~ 400	400 ~ 500	500 ~ 630	630 ~ 800	>1000
Tol. (+/-)	0.35	0.40	0.50	0.60	0.80	1.00	1.20

THIS IS A CAD DRAWING, DO NOT SCALE THIS DRAWING

SUZO HAPP
GAMING, AMUSEMENT AND INDUSTRIAL COMPONENTS

THIRD ANGLE PROJECTION	TITLE	LOCK SWITCH-SM	NO.	110-0551	
	MATERIAL	SEE NOTES	PART NO.	RBM-727-A	
COLOUR	TBD	SCALE	2X	SHEET	1
FINISH	SEE NOTES	UNIT	MM	OF	2