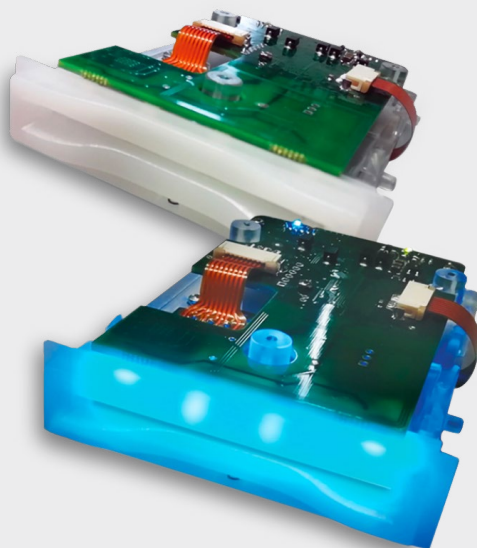


# AGE 300 ID Card Reader

## Triple Technology Card Reader

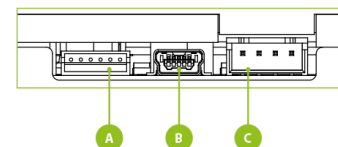
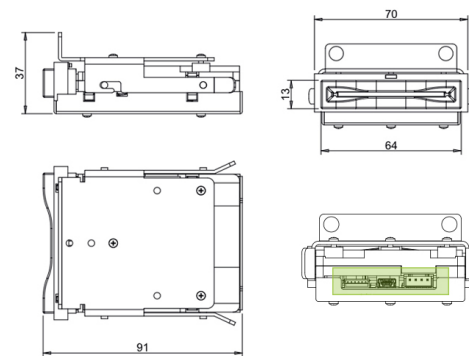


The AGE 300 reads magnetic, contact chip, and contactless ID cards. The AGE 300 can extract all data necessary to assess a user's birthdate and other relevant information. By inserting a card it is possible to read up to 3 magnetic tracks, asynchronous contact chip, and multiple protocol contactless chip. The AGE 300 supports USB, Serial and ccTalk protocols.

- Smart card and service card reader with manual insertion
- Magnetic stripe (ISO-7811, T=0 or T=1 protocol)
- Asynchronous contact chip (ISO-7816)
- Chip without contacts (NFC Forum compliant)

### Features

- ✓ Small dimensions: 91x70x25 mm
- ✓ Smart card reader: 300.000 operations
- ✓ Magnetic head reader: 600.000 operations
- ✓ Integrated Antenna
- ✓ Multiple color RGB Led in the bezel
- ✓ Power supply of 5V, 3V and 1,8V are supported
- ✓ CcTalk serial interface
- ✓ Bootloader



#### Connectors

- A:** RS232 Serial Interface
- B:** USB 2.0 Full Speed Interface
- C:** CcTalk Serial Interface