



# AGE 300

---

## Triple Technology ID Card Reader

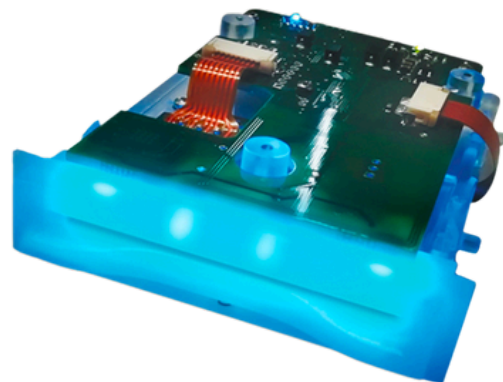


The AGE 300 is a versatile ID card reader designed to support magnetic stripe, contact chip, and contactless technologies. It reliably captures all necessary data to verify a user's birthdate and other relevant information, making it ideal for age verification and access control applications.

With simple manual card insertion, the AGE 300 reads up to three magnetic tracks (ISO 7811), asynchronous contact chips (ISO 7816, T=0 and T=1 protocols), and NFC Forum-compliant contactless cards. The device supports USB, Serial, and ccTalk communication protocols, ensuring seamless integration into a wide range of systems.

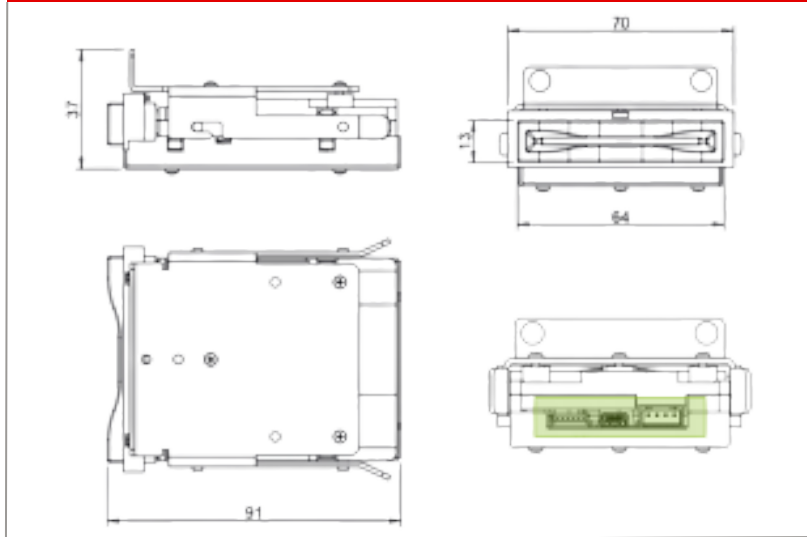
### Key Features

- Small dimensions: 91x70x25 mm
- Smart card reader: 300.000 operations
- Magnetic head reader: 600.000 operations
- Integrated antenna
- Multiple color RGB LED in the bezel
- RS-232 serial interface
- CcTalk serial interface
- USB 2.0 full speed interface
- Bootloader
- Power supply of 5V, 3V and 1,8V are supported



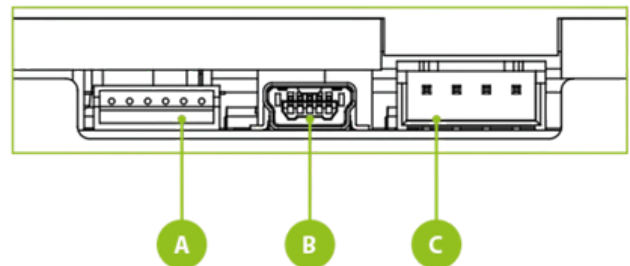


## Dimensional Drawing



## Connectors

- RS-232 Serial Interface (Letter A - Technical Drawing)
- USB 2.0 Full Speed Interface (Letter B - Technical Drawing)
- CcTalk Serial Interface (Letter C - Technical Drawing)



## Technical Specifications

|                                   |  |
|-----------------------------------|--|
| <b>Dimensions</b>                 | 91 x 70 x 25 mm (max)  |
| <b>Magnetic Track Bit Density</b> | <ul style="list-style-type: none"> <li>• Track 1 - 210 Bpi</li> <li>• Track 2 - 75 Bpi</li> <li>• Track 3 - 210 Bpi</li> </ul> |
| <b>Contact Location</b>           | Compliance ISO 7816  |
| <b>Contacts</b>                   | 8 contacts landing   |
| <b>Power Supply</b>               | 5V to 12V DC / Max current < 500 mA  |