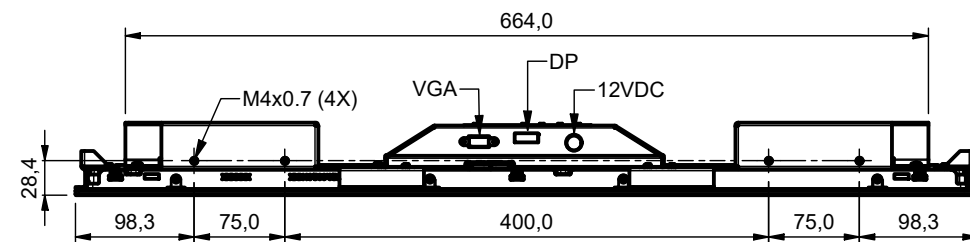
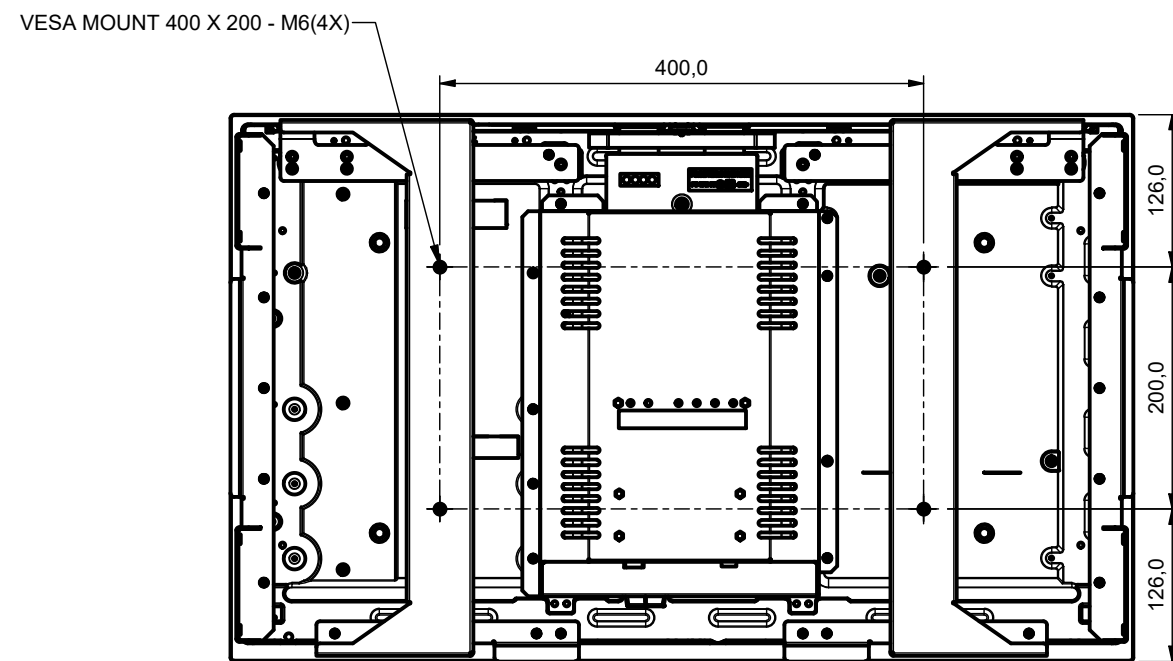
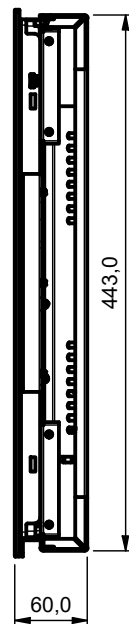
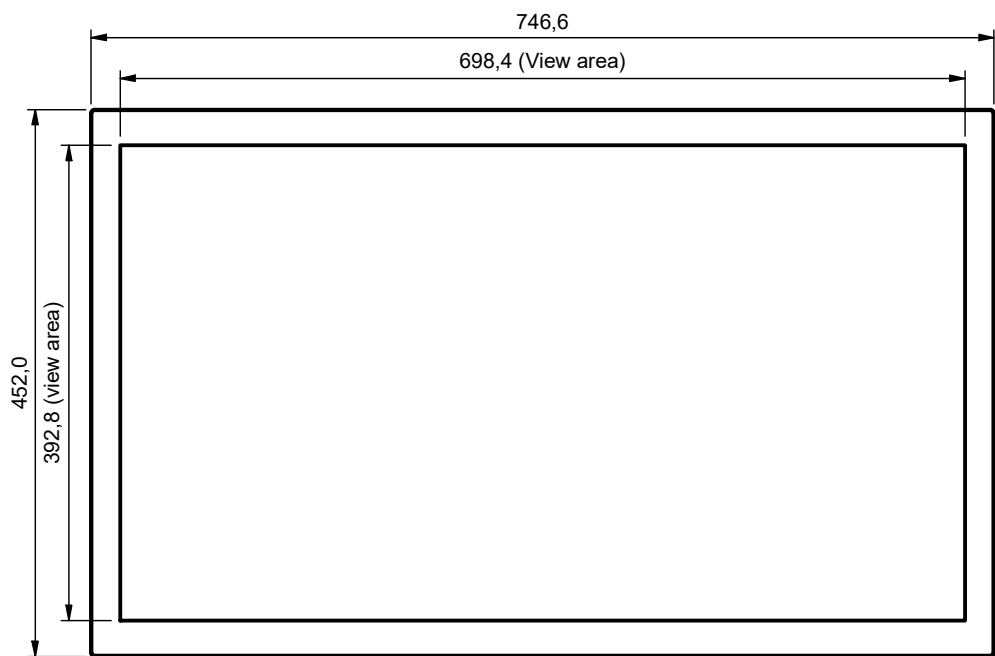
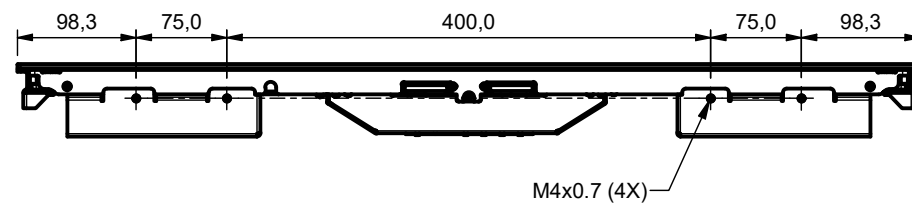


REVISION HISTORY			
REV	DESCRIPTION	DATE	APPROVED
00	INITIAL RELEASE	04-03-2019	Edwin



SUZOHAPP

Suzo International (NL) BV
 Antonie van Leeuwenhoekstraat 9
 3261 LT Oud Beijerland
 Tel. +31 (0)186-643333
 Fax. +31 (0)186-643355
 E-mail info@suzo.com

RoHS Compliant 2011/65/EU

Description: 32" MONITOR W. GLASS (PC)	Date: 04-03-19	Partnumber: 150FTG3207	Revision: 00	Size: A3
---	-------------------	---------------------------	-----------------	-------------