

SMART Payout

Superior Mixed Denomination Recycler



The SMART Payout boasts superior note recycling and unrivalled mixed denomination banknote recycling. An up to 70 note 'true' mixed denomination recycler, it can store all denominations from a given currency, eliminating coin starvation & reducing the coin float level required to keep machines operational. Auto-centering technology straightens notes before reading and all notes in the SMART Payout can be transferred to the cashbox for easy collection.

Features

- ✓ Unrivalled mixed denomination note recycler
- ✓ Proven field reliability
- ✓ Exceptional performance: auto-centering technology straightens notes before reading
- ✓ Accepts banknotes up to 85 mm wide & recycles notes up to 82 mm wide
- ✓ Easy maintenance, free firmware updates
- ✓ Notes in the Smart Payout are transferable to the cashbox

Benefits

- ✓ Eliminates coin starvation & the need for multiple hoppers
- ✓ Lowest cost of ownership
- ✓ Improves operator cashflow
- ✓ Reduces operator collection costs
- ✓ Future proof - quick & easy updates via USB & PC
- ✓ One product suitable for most global applications

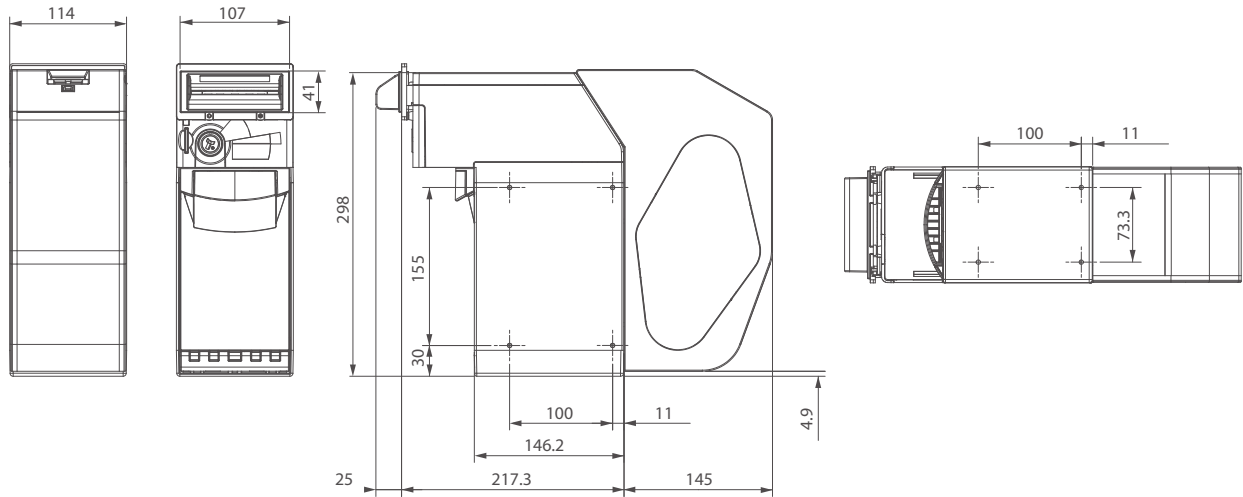


Auto-centering technology



Secure cashbox

Technical Schematics



Unit of measure: mm

Versions

- ✓ ccTalk (with IF 14 interface)
- ✓ SSP

Interfaces

- ✓ USB with IF 17
- ✓ RS232
- ✓ Open collector

Optional Accessories

- ✓ IF 14: interface for converting the eSSP protocol into ccTalk

Bezel Options

- ✓ Self aligning bezel
- ✓ Metal bezel
- ✓ Various illumination options

Technical Specifications

Dimensions (LxHxW)	114 x 301 x 387.3 mm
Weight	5.5 kg
Power supply	12 V
Current consumption	400 mA Stand-by – 3A Running – 5A Peak
Operating temperature	3 °C ÷ 50 °C - 5 ÷ 95% humidity non-condensed
Banknotes accepted	Cashbox: 500 or 1,000 banknotes Payout: up to 70 mixed banknotes
Capacity	Cashbox: 500 or 1,000 banknotes Payout: up to 70 mixed banknotes
MCBF	100,000