

Casino Luminescent Pushbuttons

The Latest Pushbutton Series from SUZOHAPP

Features

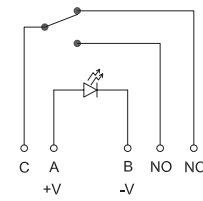
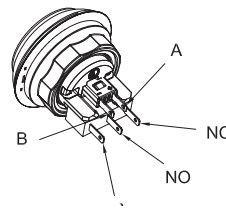
- ✓ Black or chrome button bezel with translucent color washer, molded in bezel to provide edge luminescent effect
- ✓ Special locking nut has special flare design to allow it to fit over “Snap-Tab” feature with microswitch installed
- ✓ Ease & flexibility of mounting to metal control panels using either the “Snap-Tab” or Traditional locking nut
- ✓ For mounting via “Snap-Tab method a panel thicknesses from .04”/1.00mm
- ✓ Switch pre-assembled on button for reduction assembly time into control panel
- ✓ Supports ITW Pancon Switch-Con Crimp connector 5-pole housing (CSF-MH-05-02)
- ✓ Easy to remove high quality Cherry DB5 switch
- ✓ Subminiature microswitch provides additional clearance room under control panel
- ✓ Fitted standard with 12v white Nichia LED on printed circuit board
- ✓ Grounded for ESD protection
- ✓ Polycarbonate lens for optical clarity and durability
- ✓ Available in several color combinations of button & luminescent effect
- ✓ Additional customization also available
- ✓ Switch snaps on bezel of button eliminating the need to have separate lamp holder
- ✓ Custom printing on legends available at nominal charge
- ✓ Button Removal Tool and Nut Wrench Tool available, sold separately
- ✓ Patent Pending Design



ITW Pancon Switch-Con Connector

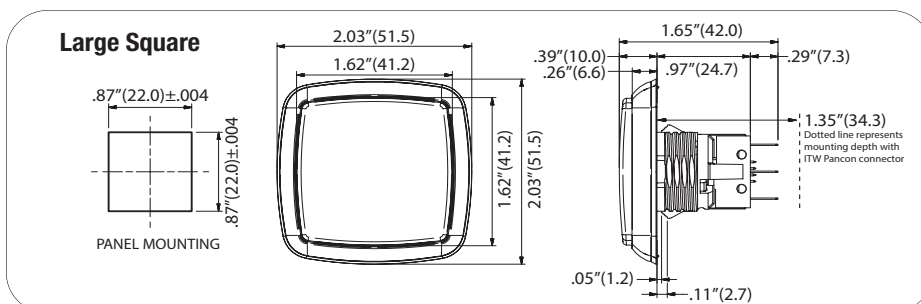
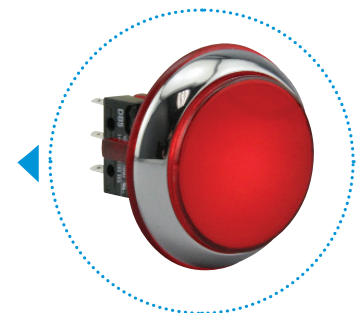
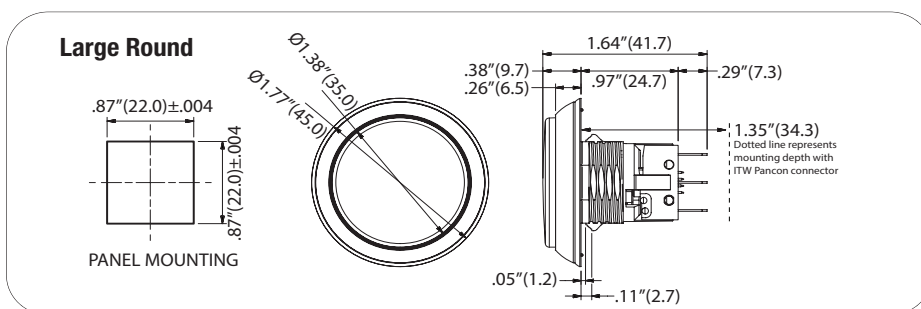


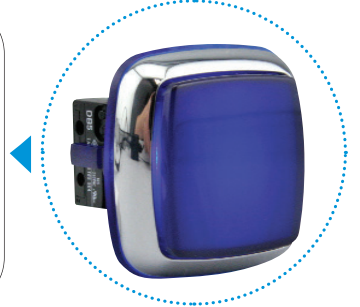
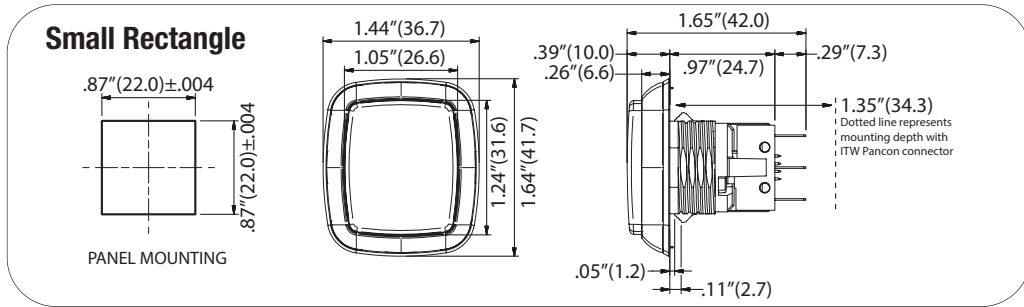
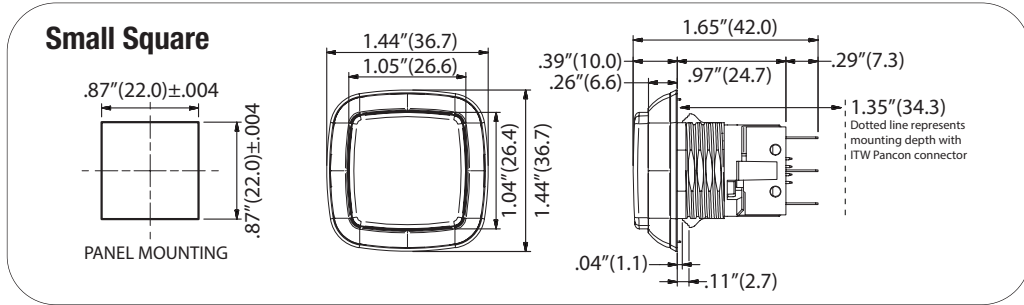
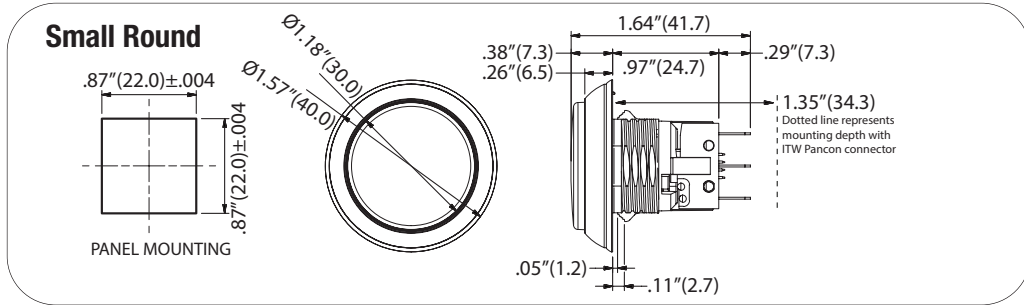
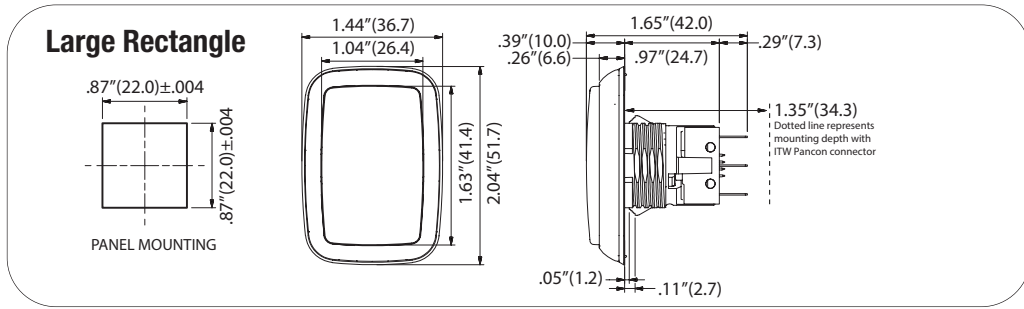
Nut over Snap-Tab Feature (included)



Pushbutton Schematic

Technical Schematics





Note: Unit of measure: mm

Design Your Casino Luminescent Pushbutton with the Matrix Below

26-13 **S** **B** - **C** **L**
 Size Bezel Lens Luminescent

S = Size	B = Bezel	C = Lens Color	L = Luminescent Effect
0 = Small Square	0 = Black Chrome	2 = Red	2 = Red
1 = Large Square	1 = Black	3 = Amber (Orange)	3 = Amber (Orange)
3 = Large Rectangle	4 = Gold	4 = Yellow	4 = Yellow
5 = Small Rectangle	8 = Chrome	5 = Green	5 = Green
6 = Small Round	9 = White	6 = Blue	6 = Blue
7 = Large Round		7 = Purple	7 = Purple
		9 = White	9 = White