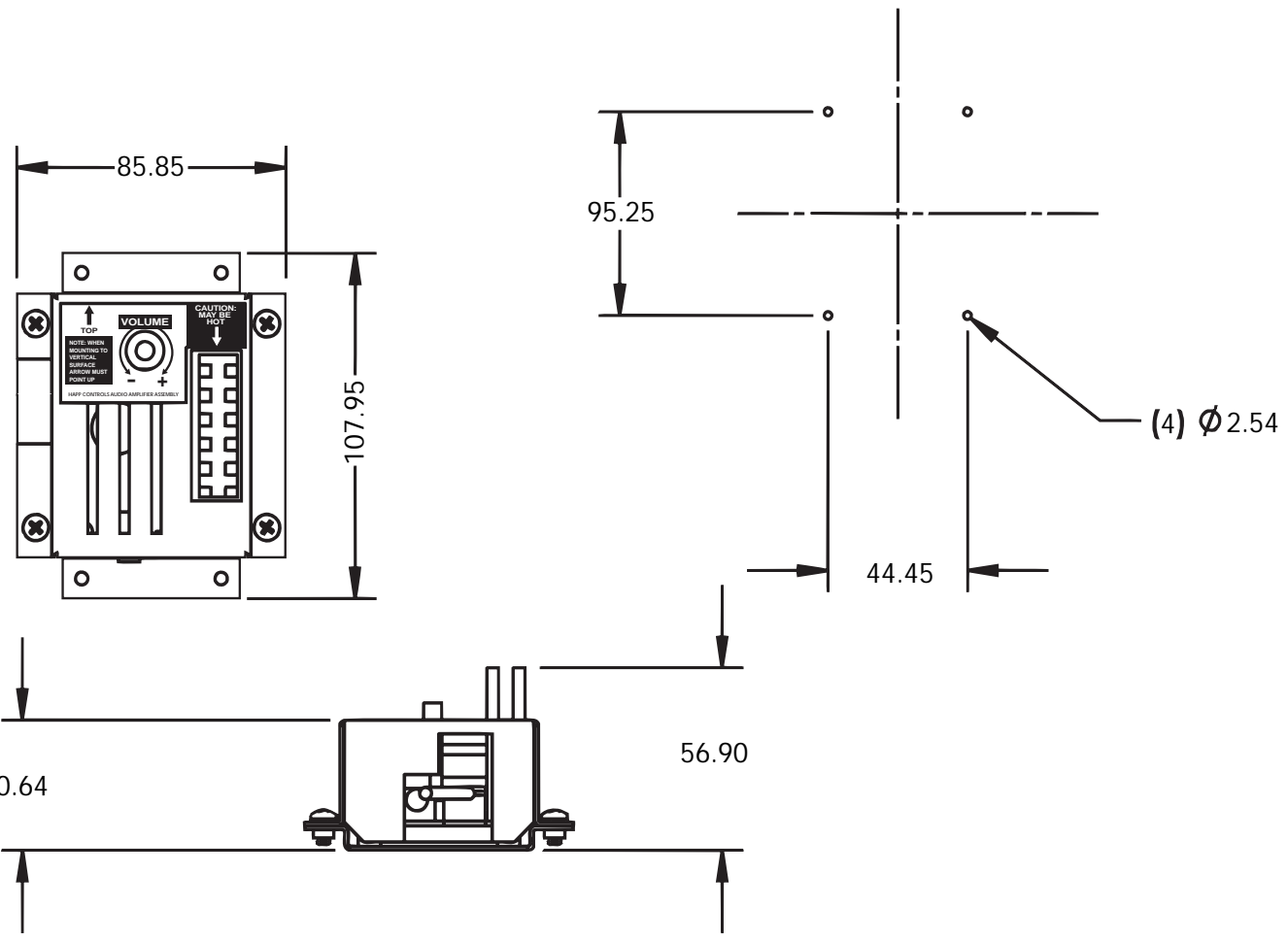


REVISION HISTORY			
REV	DESCRIPTION	DATE	APPROVED
00	INITIAL RELEASE	15-10-2009	Eddy



RoHS Compliant 2002/95/EC



GAMING, AMUSEMENT AND INDUSTRIAL COMPONENTS

Suzo International (NL) BV
 3261 LT Oud Beijerland
 Tel. +31 (0)186-643333
 Fax. +31 (0)186-643355
 E-mail info@suzo.com

Description: KIOSK AUDIO AMPLIFIER	Date: 15-10-2009	Partnumber: H49-5140-100	Revision: 00	Size: A4
---------------------------------------	---------------------	-----------------------------	-----------------	-------------