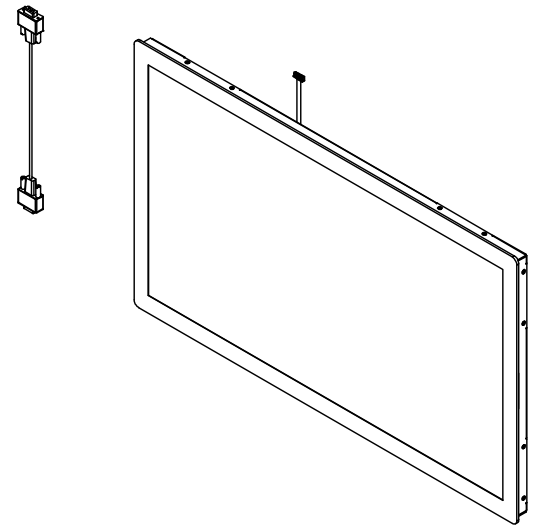
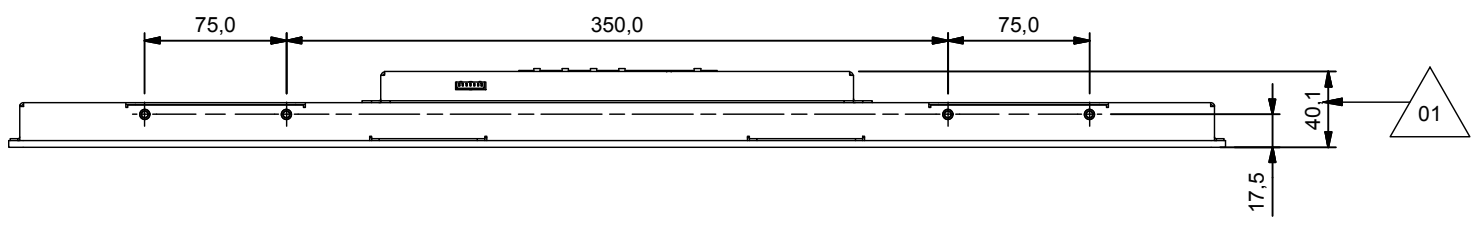
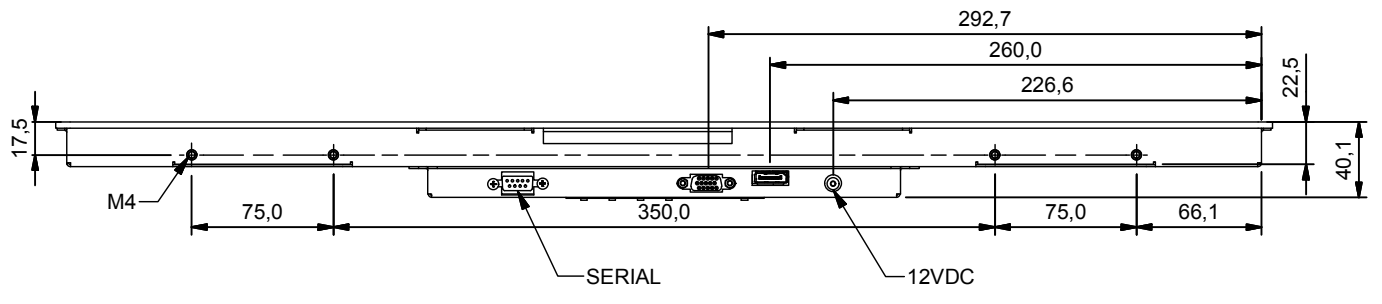
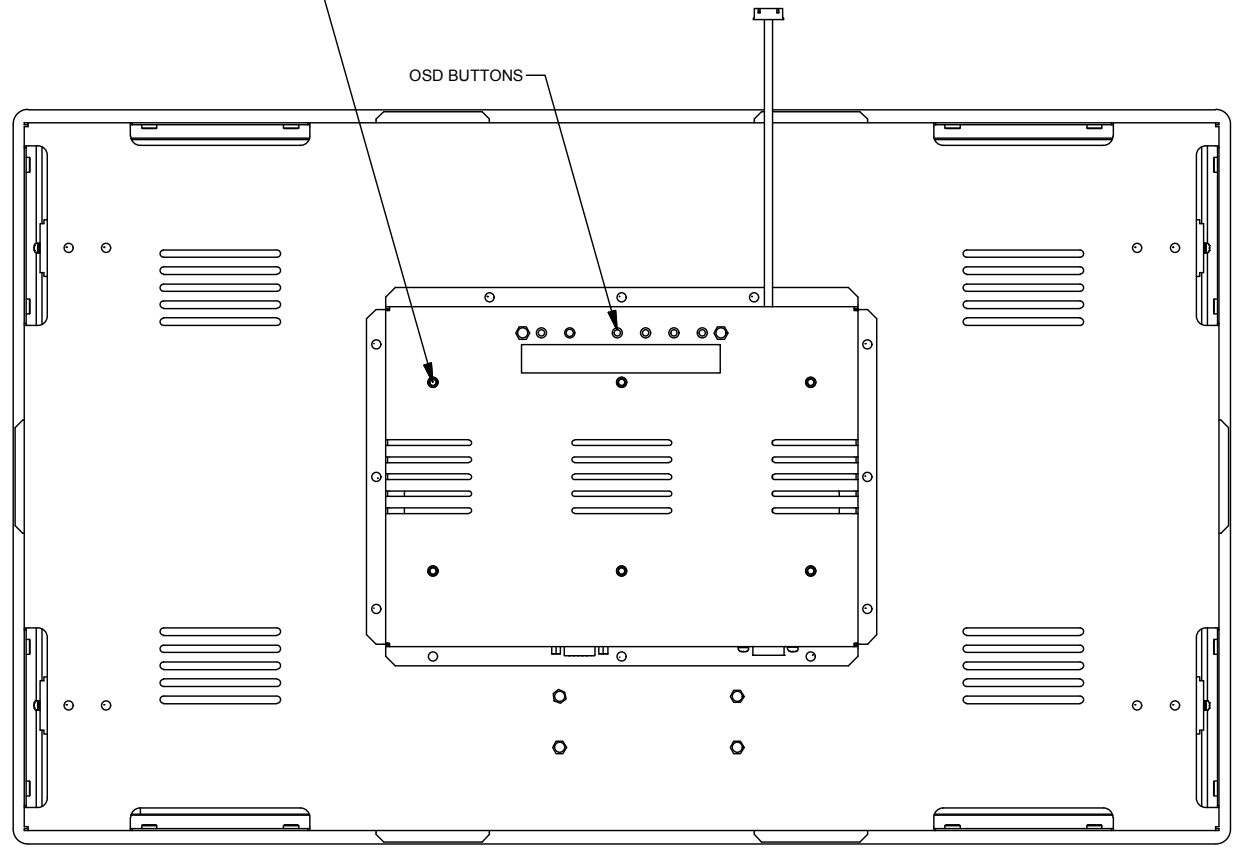
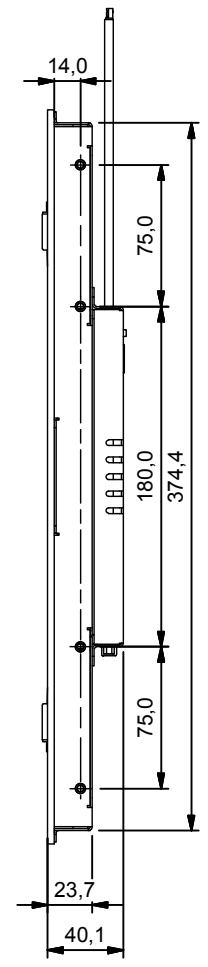
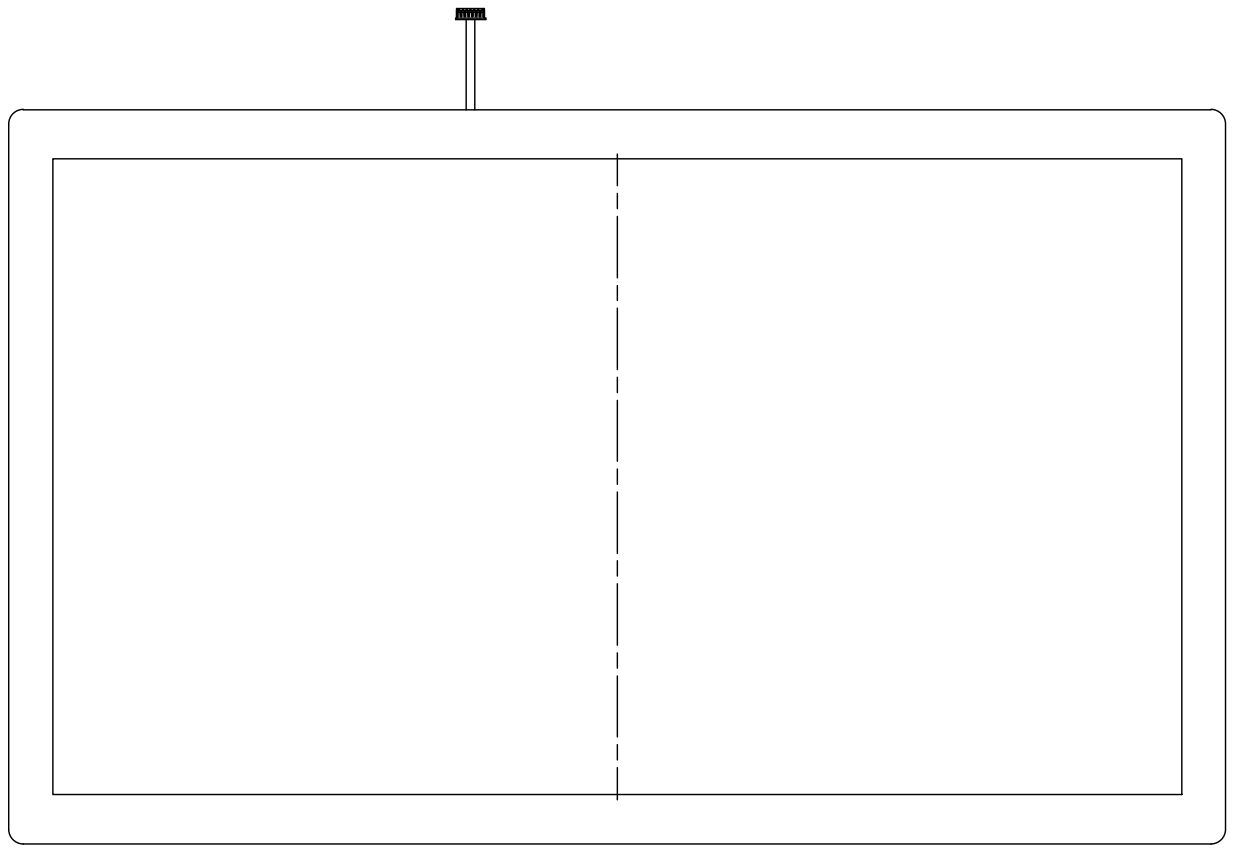


REVISION HISTORY			
REV	DESCRIPTION	DATE	APPROVED
00	INITIAL RELEASE	18-10-2017	ROY
01	TOTAL THICKNESS CHANGED	24-10-2017	ROY



VESA MOUNT - 200 X 100 - M4 (6X)  
MAX SCREW DEPTH = 22MM



Suzo International (NL) BV  
 Antonie van Leeuwenhoekstraat 9  
 3261 LT Oud Beijerland  
 Tel. +31 (0)186-643333  
 Fax. +31 (0)186-643355  
 E-mail info@suzo.com

RoHS Compliant 2011/65/EU

Description: 27" TOUCHMON. P-CAP 16:9 SERIAL	Date: 18-10-2017	Partnumber: 150TFTP2705S	Revision: 01	Size: A3
---	---------------------	-----------------------------	-----------------	-------------