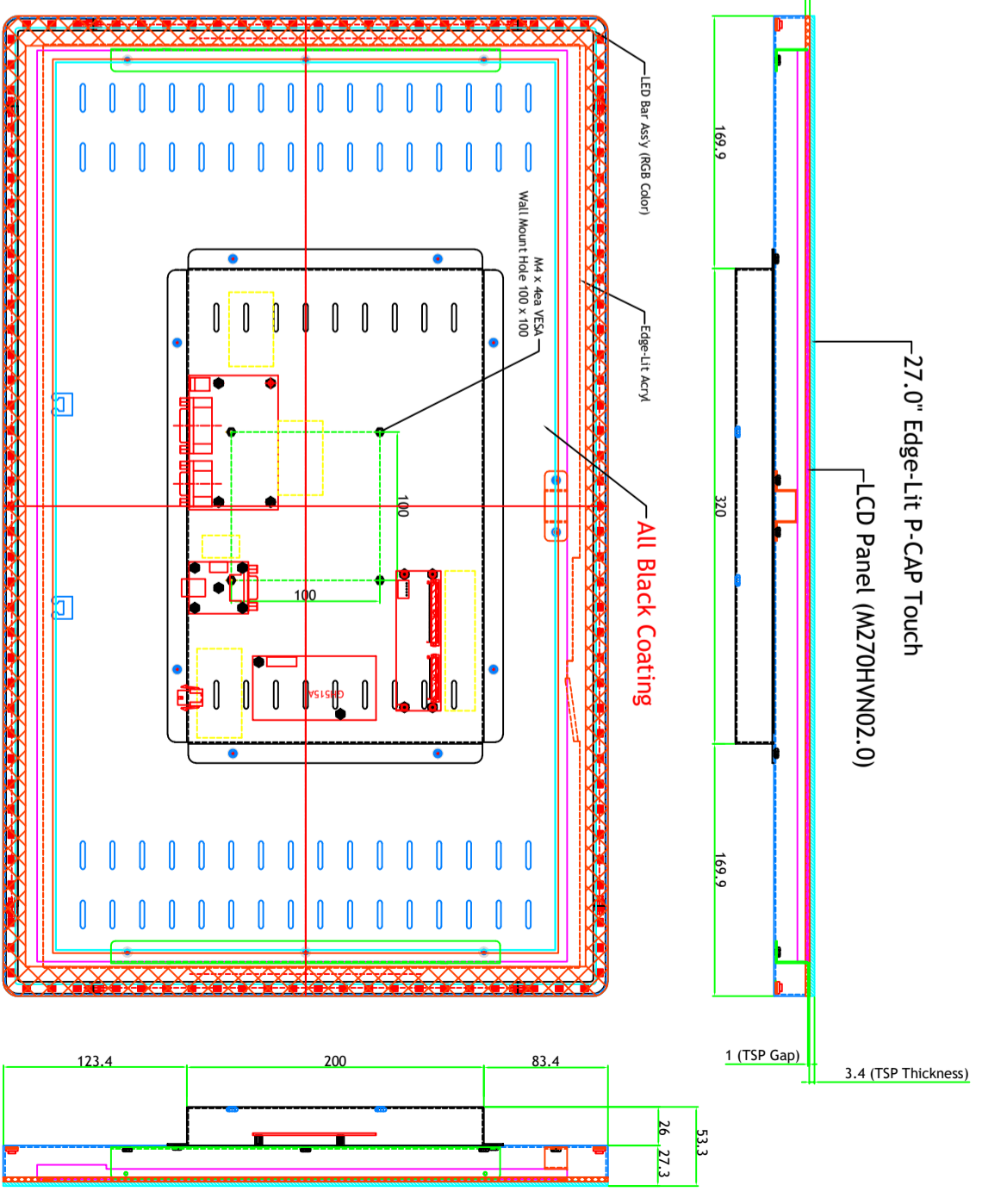
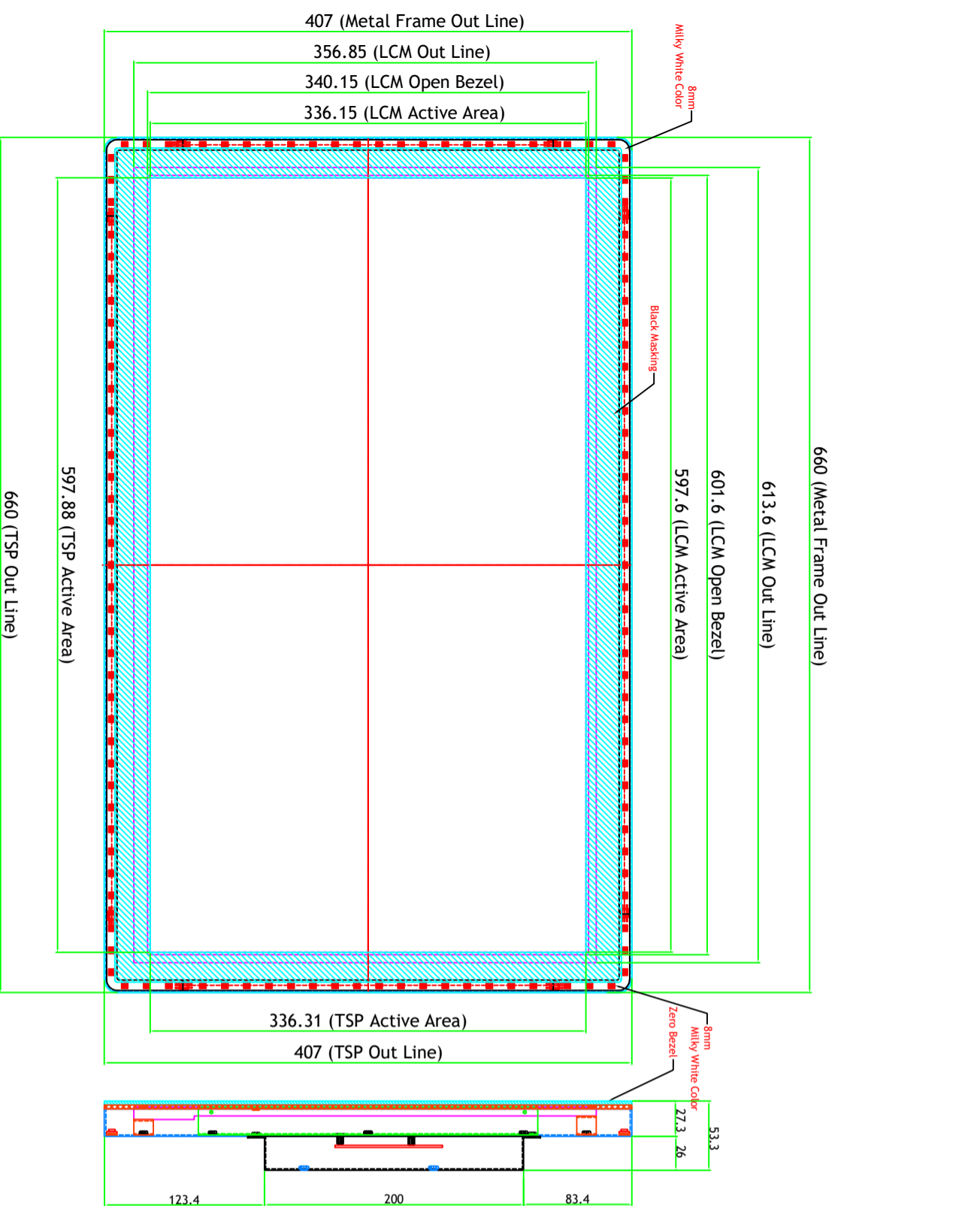


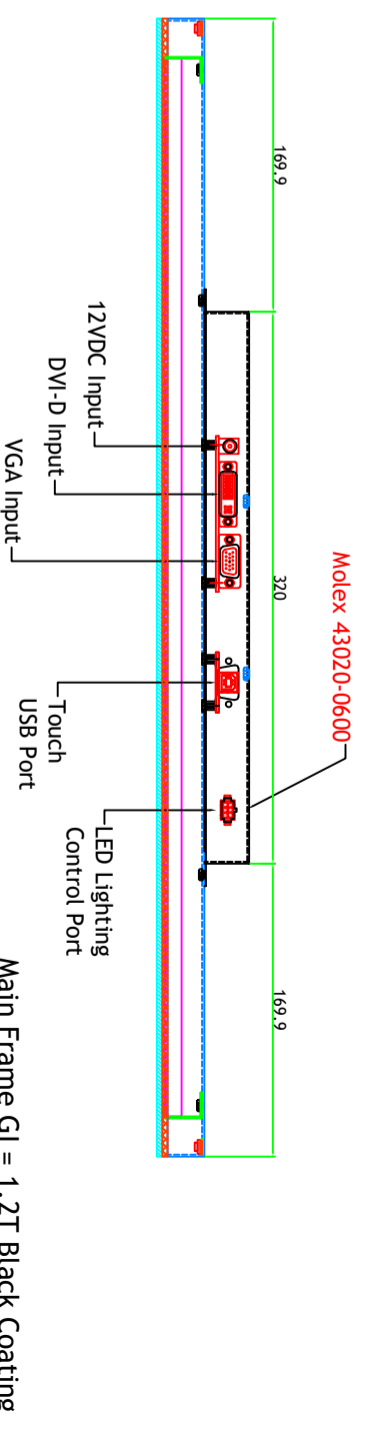
Rev	AMEND	DATE	CHECK	APPR.
P1	Proto	2019.03.26	H.I.Woo	H.Y.Sohn
P2	Changed Model Name INC-2703FHAZIPC-U ----> 150DLP2705	2019.04.02	H.I.Woo	H.Y.Sohn
P3	Changed I/O Port Name RGB Input ----> VGA Input	2019.05.28	H.I.Woo	H.Y.Sohn



LED Lighting Control Port Pin Map (w/o IC)

#1 : Red , #2 : Green , #3 : Blue
 #4 : VCC 12V , #5 : GND , #6 NC

Molex 43020-0600



		MODEL NO	150DLP2705	VIEW :		UNIT :	mm
		NAME	27.0" Closed Frame	Q'ty		1	
DRAWN	CHECKED	APPROVED	DWG. NO	4M2703041-02	SCALE	1 / 1	
H.I.Woo		H.Y.Sohn	MATERIAL / FINISH	GI T=1.2	DATE	2019.05.28	

Main Frame GI = 1.2T Black Coating
 Rear Cover GI = 1.0T Black Coating

