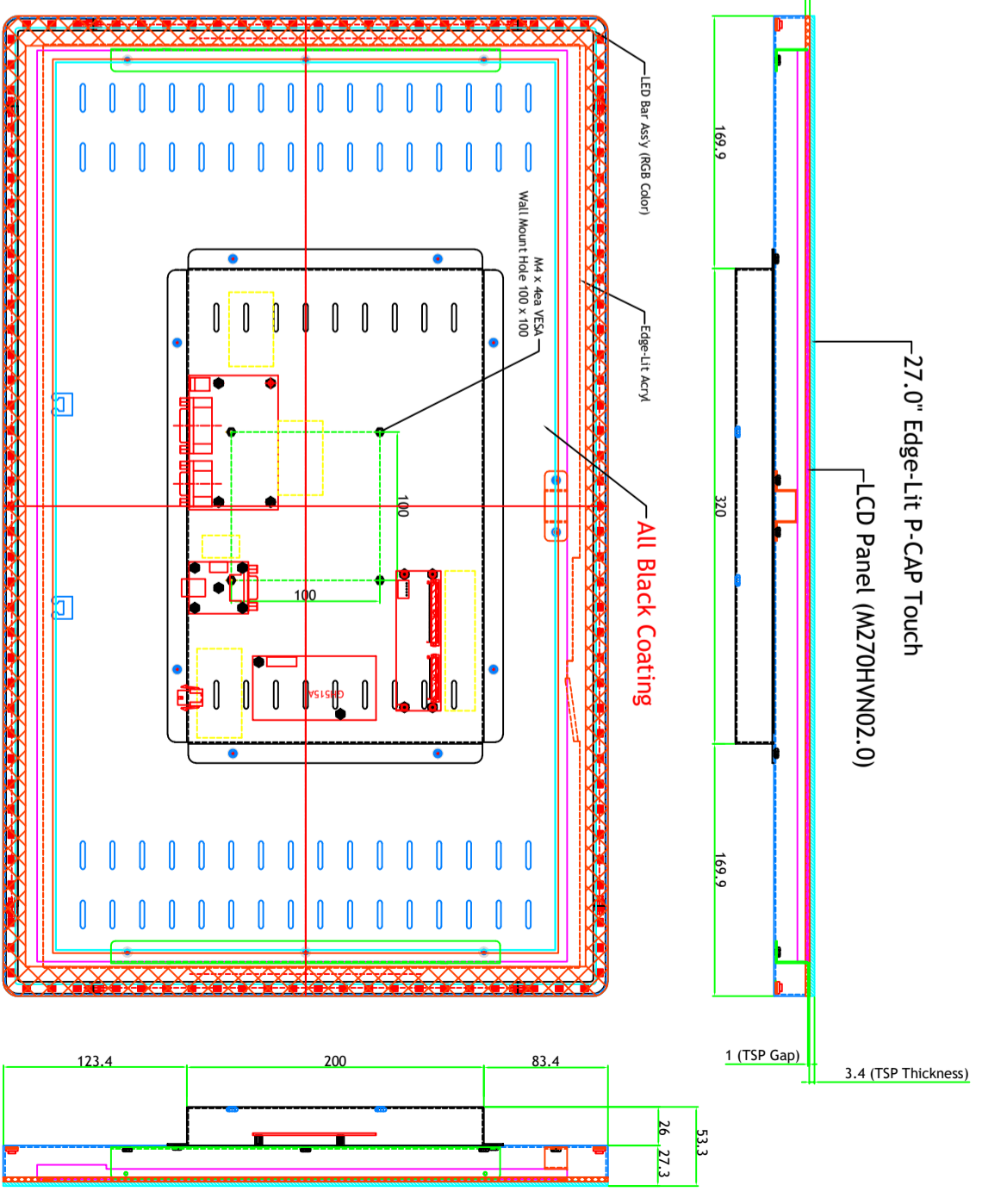
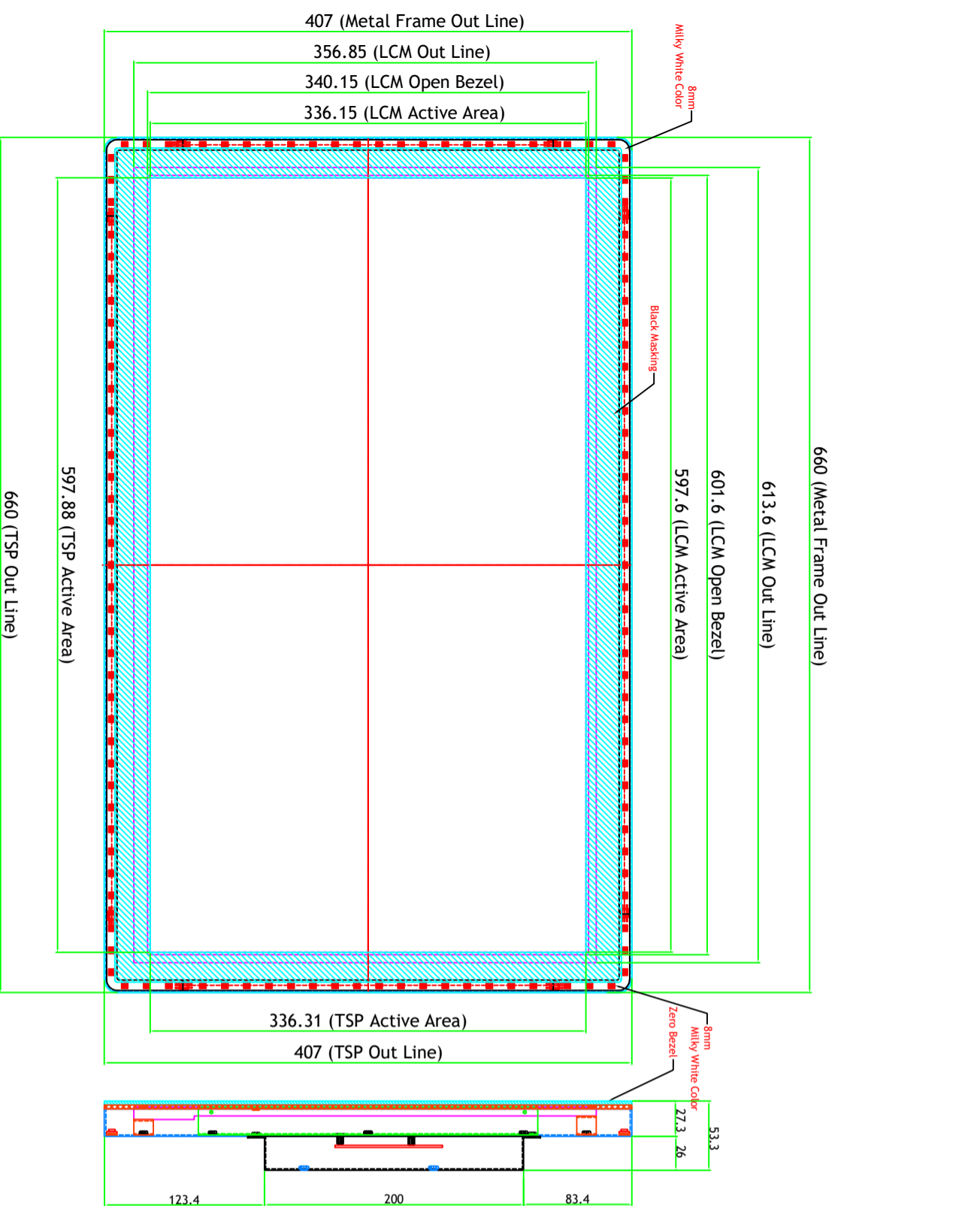


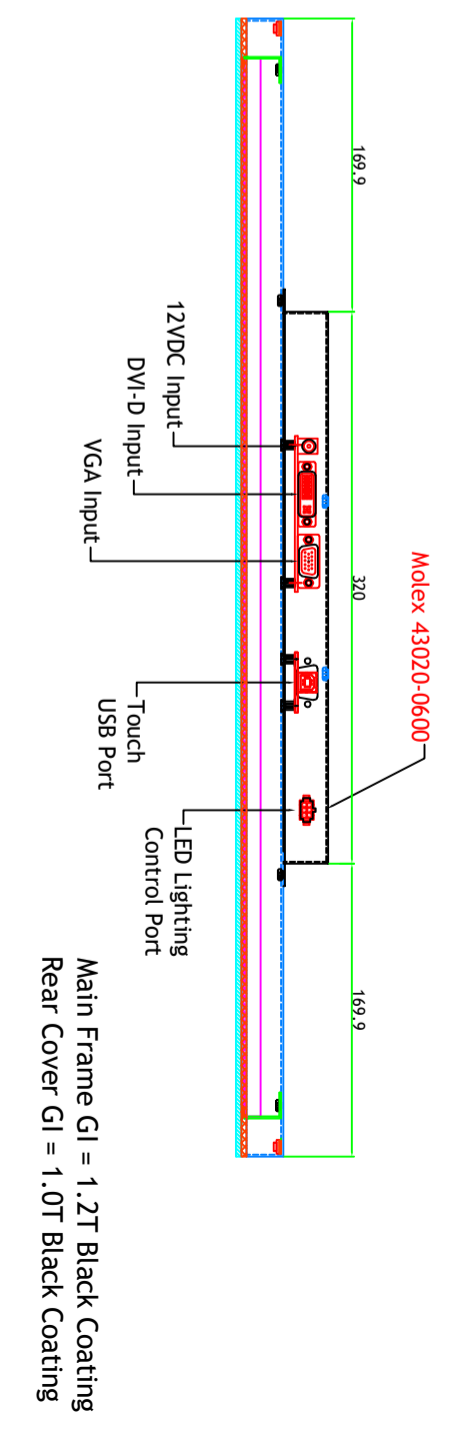
Rev	AMEND	DATE	CHECK	APPR.
P1	Proto	2019.03.26	H.I.Woo	H.Y.Sohn
P2	Changed Model Name INC-2703FHAZIPC-U ----> 150DLP2705	2019.04.02	H.I.Woo	H.Y.Sohn
P3	Changed I/O Port Name RGB Input ----> VGA Input	2019.05.28	H.I.Woo	H.Y.Sohn



LED Lighting Control Port Pin Map (w/o IC)

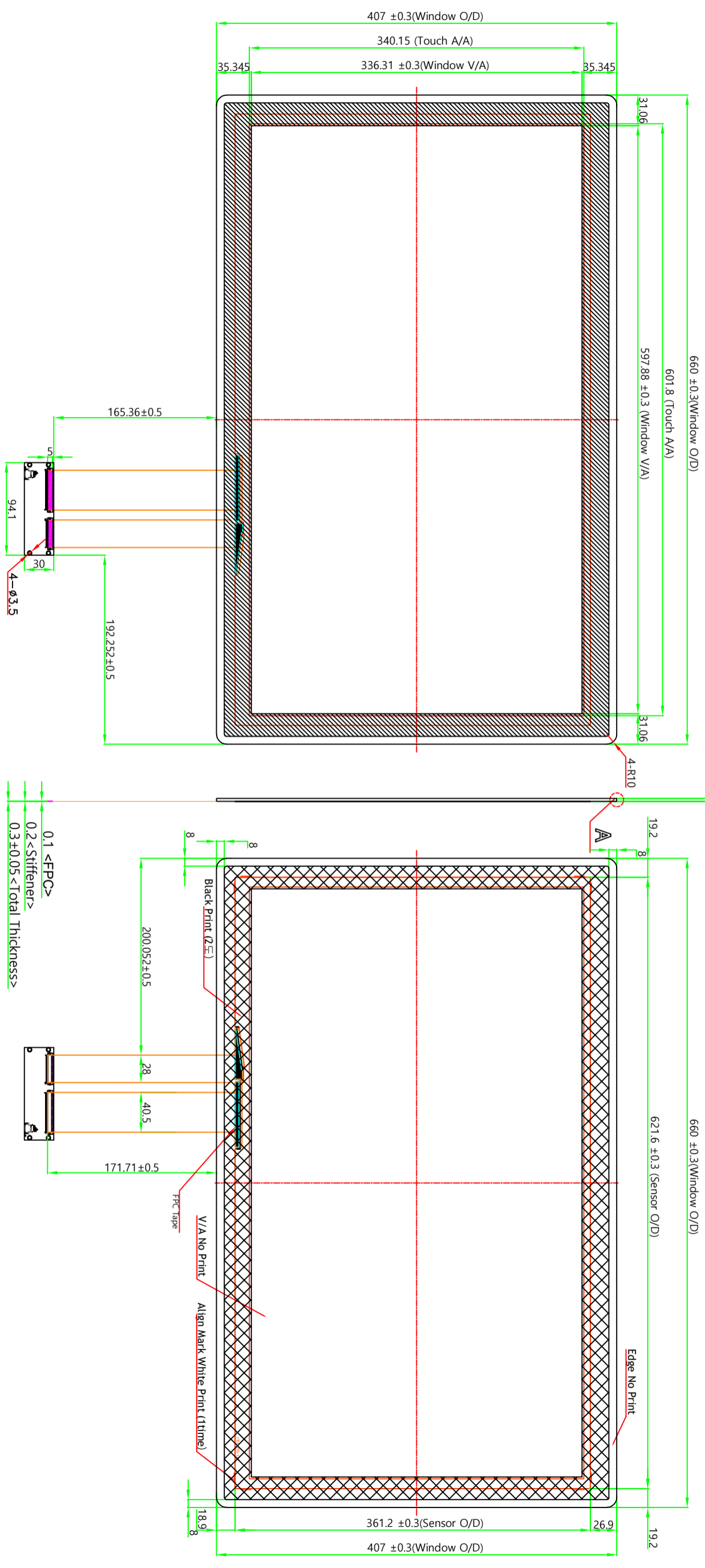
#1 : Red , #2 : Green , #3 : Blue
 #4 : VCC 12V , #5 : GND , #6 NC

Molex 43020-0600



		MODEL NO	150DLP2705	VIEW :		UNIT :	mm
		NAME	27.0" Closed Frame	Q'ty		1	
DRAWN	CHECKED	APPROVED	DWG. NO	4M2703041-02	SCALE	1 / 1	
H.I.Woo		H.Y.Sohn	MATERIAL / FINISH	GI T=1.2	DATE	2019.05.28	

Rev	AMEND	DATE	CHECK	APPR.
P1	Proto	2019.03.26	H.I.Woo	H.Y.Sohn
P2	Changed Model Name INC-2703FHAZIPC-U ----> 150DLP2705	2019.04.02	H.I.Woo	H.Y.Sohn
P3	Changed I/O Port Name RGB Input ----> VGA Input	2019.05.28	H.I.Woo	H.Y.Sohn



- TOP VIEW (Touch Module) -

- RIGHT VIEW -

- BOTTOM VIEW -

- Black Masking : 2 time
- Touch Align Mark : White 1 time

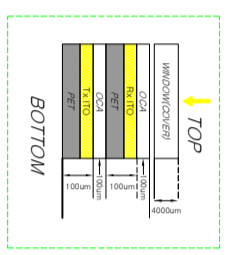
27.0" Edge-Lit Model Touch Glass Drawing

NOTES

1. Type : GFF Type Capacitive Touch Panel
2. Touch Performance : 10point , φ8
3. Interface : USB
4. Window Glass : Tempered Soda Lime 3T
5. Window Decoration Color
 - Black Color Printing
 - Align Mark White Color Printing
6. Transmittance : 88% ±3%
7. Surface Hardness : More than 6H
8. Control Board : Silicon Works

STACK UP & MATERIAL

Description	Material	Thickness
Cover Window	Tempered Soda Lime	3000um
Top OCA	LCI, OC910D	100um
Top Film	ITO Film	100um
MID OCA	LCI, OC910D	100um
Bot Film	ITO Film	100um



		MODEL NO	150DLP2705		VIEW :			UNIT : mm
		NAME	27.0" Closed Frame		Qty	1		REV. P3
DRAWN	CHECKED	APPROVED	DWG. NO	4M2703041-02	SCALE	1 / 1		DATE
H.I.Woo		H.Y.Sohn	MATERIAL / FINISH	GI T=1.2	DATE	2019.05.28		