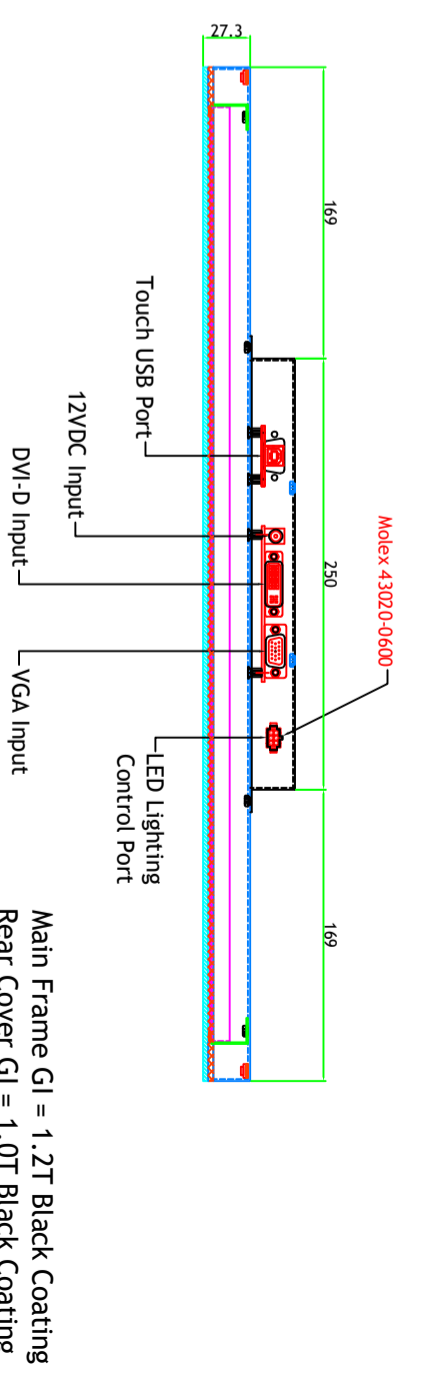
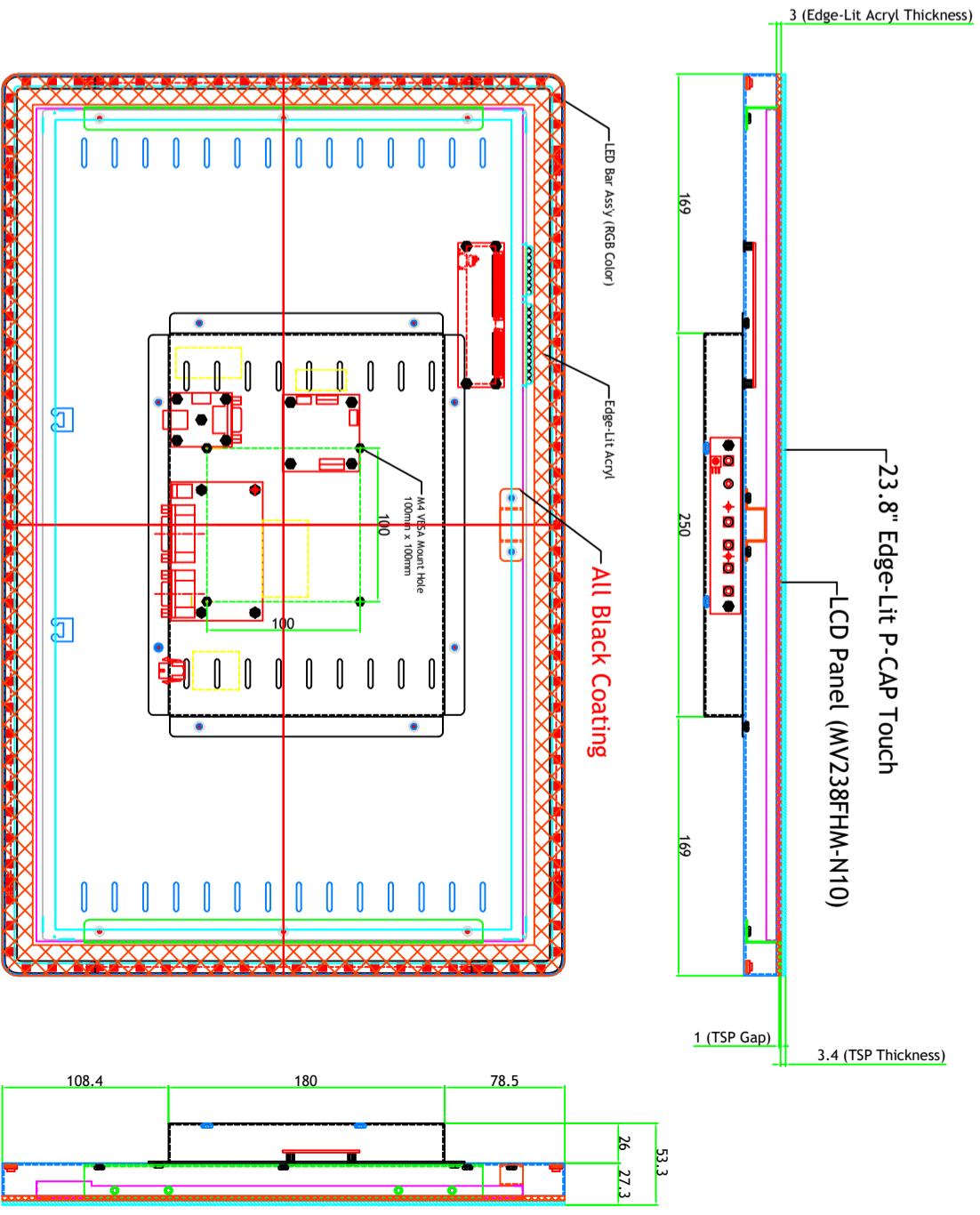
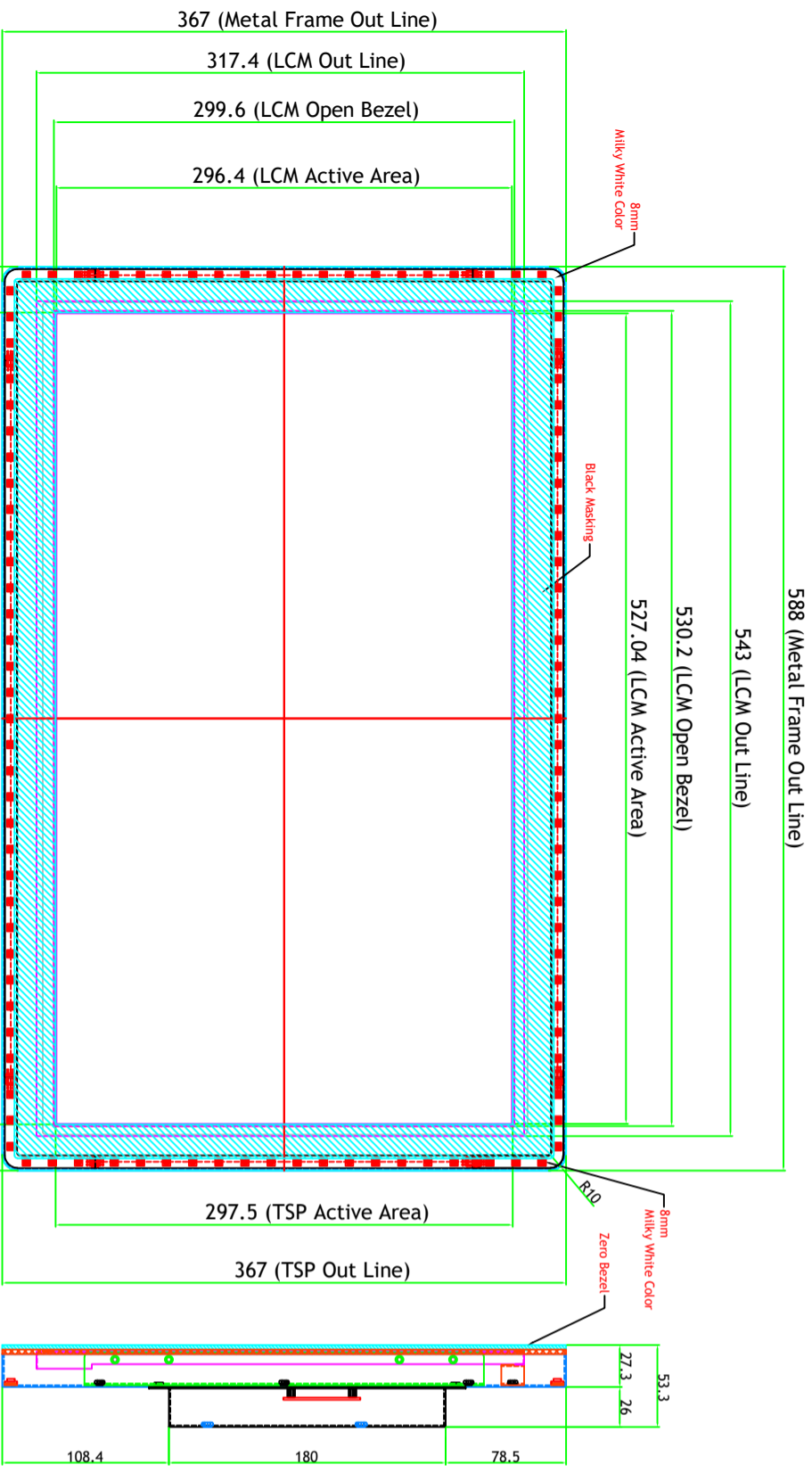


Rev	AMEND	DATE	CHECK	APPR.
P1	Proto	2018.12.18	H.I.Woo	H.Y.Sohn
P2	Changed LED Bar Type W/O IC Type ----> W/IC Type	2019.01.22	H.I.Woo	H.Y.Sohn
P3	Changed Model Name INC-2383FHAZIPC-U ----> 150DLP2386	2019.04.02	H.I.Woo	H.Y.Sohn
P4	Changed I/O Port Name RGB Input ----> VGA Input	2019.05.28	H.I.Woo	H.Y.Sohn



LED Lighting Control Port Pin Map (w/ IC)

#1 : VCC 5V, #2 : CTL, #3 : GND
 #4 : NC, #5 : NC, #6 : NC

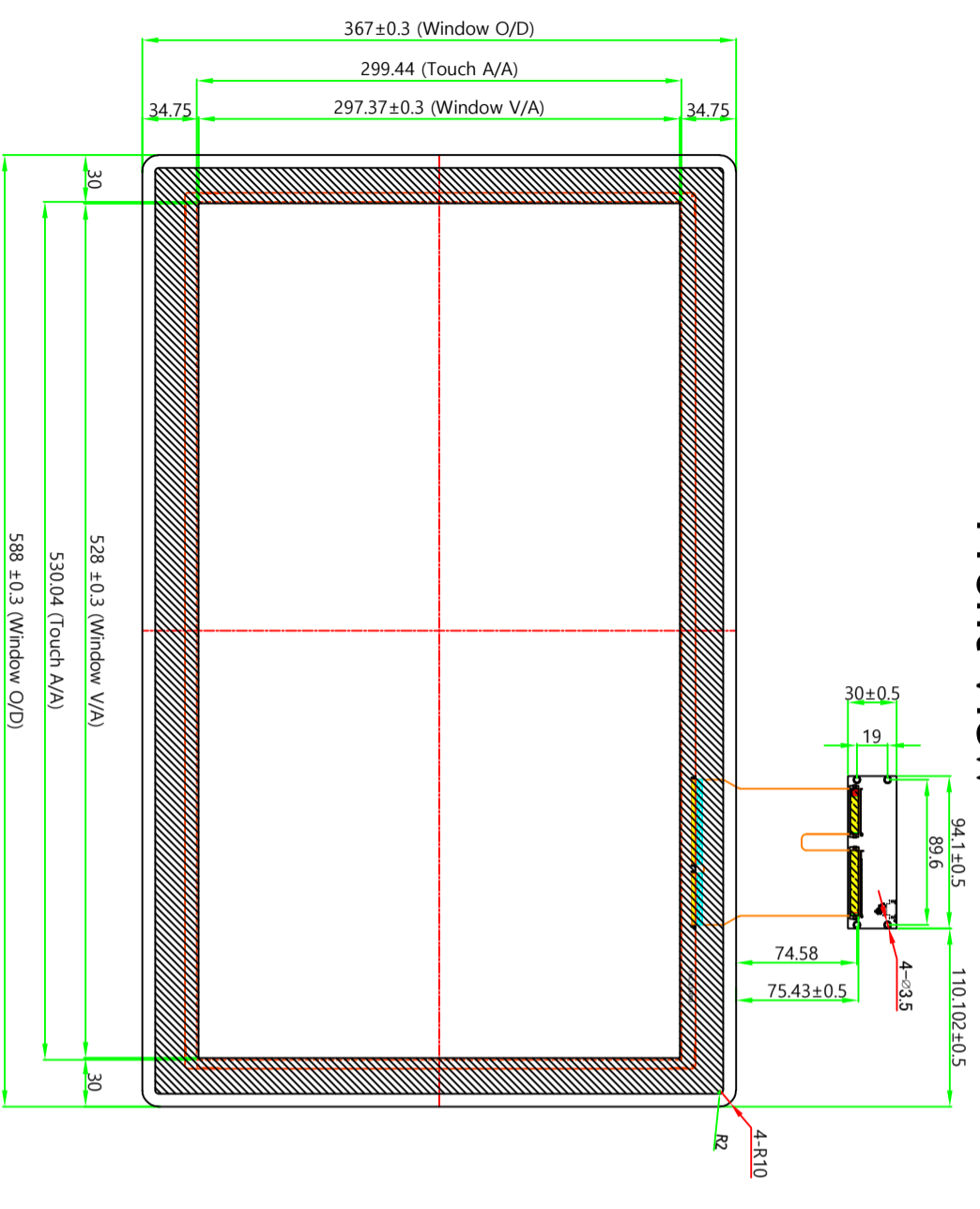
Molex 43020-0600

		MODEL NO	150DLP2386	VIEW :	UNIT : mm	
		NAME	23.8" Closed Frame	Q'ty	1	REV. P4
DRAWN	CHECKED	DWG. NO	4M2383025-03	SCALE	1 / 1	
H.I.Woo		MATERIAL / FINISH	GI T=1.2	DATE	2019.05.28	
	APPROVED					
	H.Y.Sohn					

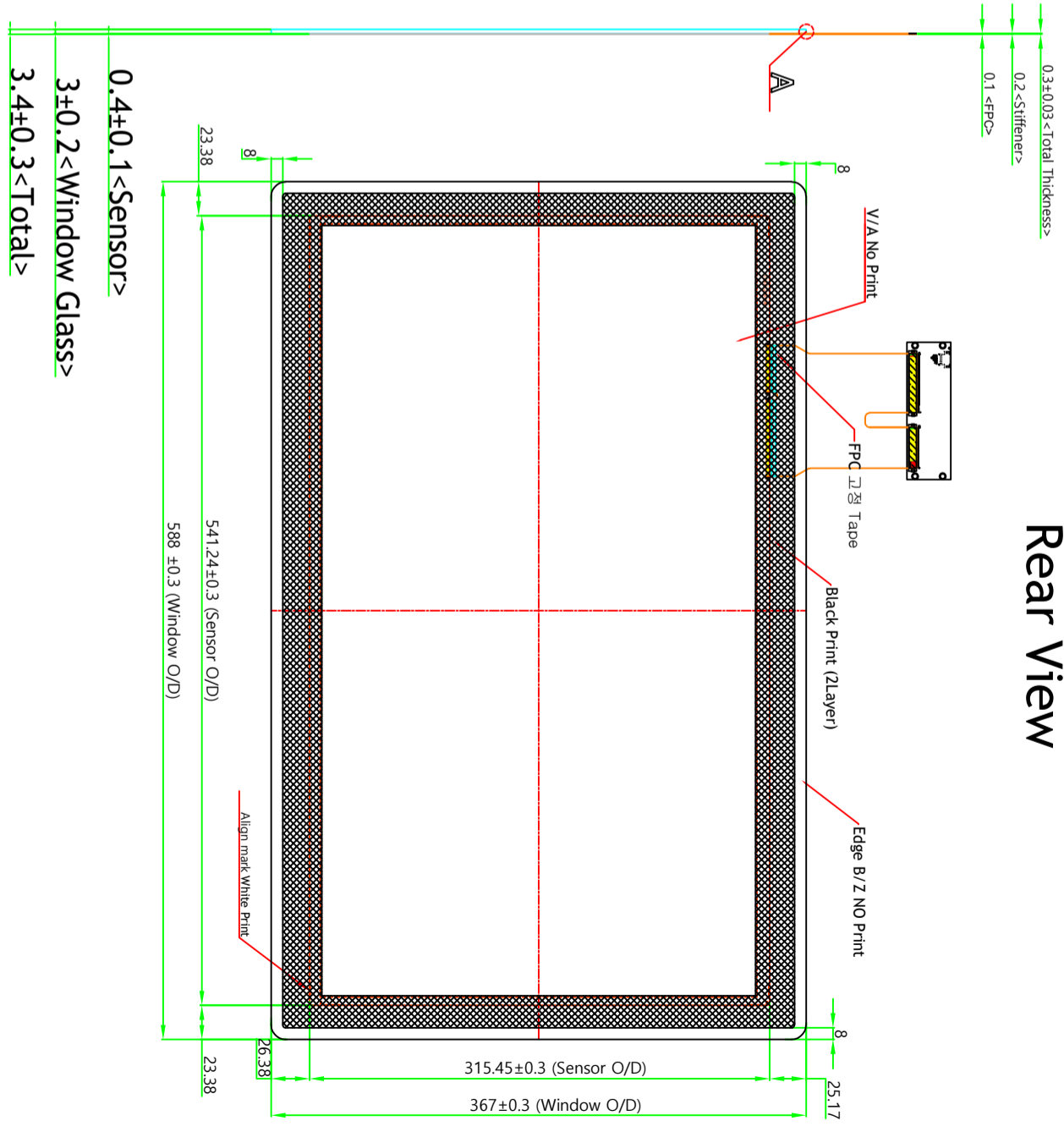
1 2 3 4 5 6 7 8 9 10 11 12 13 14 15 16

Rev	AMEND	DATE	CHECK	APPR.
P1	Proto	2018.12.18	H.I.Woo	H.Y.Sohn
P2	Changed LED Bar Type W/O IC Type ----> W/IC Type	2019.01.22	H.I.Woo	H.Y.Sohn
P3	Changed Model Name INC-2383FHAZIPC-U ----> 150DLP2386	2019.04.02	H.I.Woo	H.Y.Sohn
P4	Changed I/O Port Name RGB Input ----> VGA Input	2019.05.28	H.I.Woo	H.Y.Sohn

Front View



Rear View



- Black Masking : 2 time
- Touch Align Mark : White 1 time

23.8" Edge-Lit Model Touch Glass Drawing

NOTES

1. Type : GFF Type Capacitive Touch Panel
2. Touch Performance : 10Point , φ8
3. Interface : USB
4. Window Glass : Tempered Soda Lime 3.0T
5. Window Decoration Color :
 - Black Printing
 - Edge B/Z No Printing
 - Align Mark White Color Printing
6. Transmittance : 85% ±3%
7. Surface Hardness : More than 6H
8. Control Board : Silicon Works

Description	Material	Thickness
Cover Window	Tempered SodaLime	3000um
Top OCA	optically Clear Adhesive	100um
Top Film	Metal Mesh Film	100um
MID OCA	optically Clear Adhesive	100um
Bot Film	Metal Mesh Film	100um

Total Thickness - 3400um

		MODEL NO	150DLP2386		VIEW :			UNIT :	mm	
		NAME	23.8" Closed Frame		Qty	1		REV.	P4	
DRAWN	CHECKED	APPROVED	DWG. NO	4M2383025-03	SCALE	1 / 1		DATE	2019.05.28	
H.I.Woo		H.Y.Sohn	MATERIAL / FINISH	GI T=1.2						