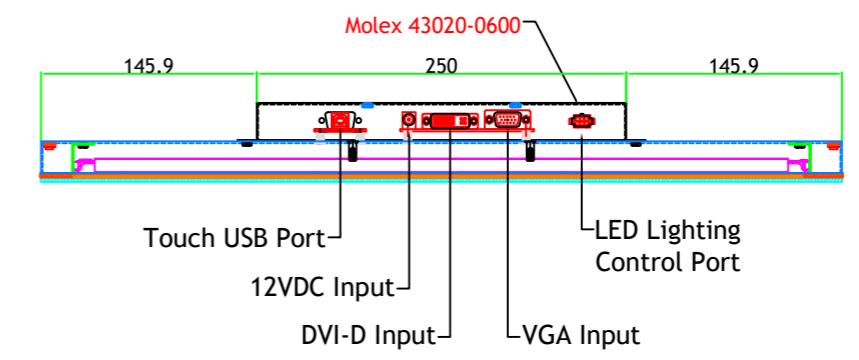
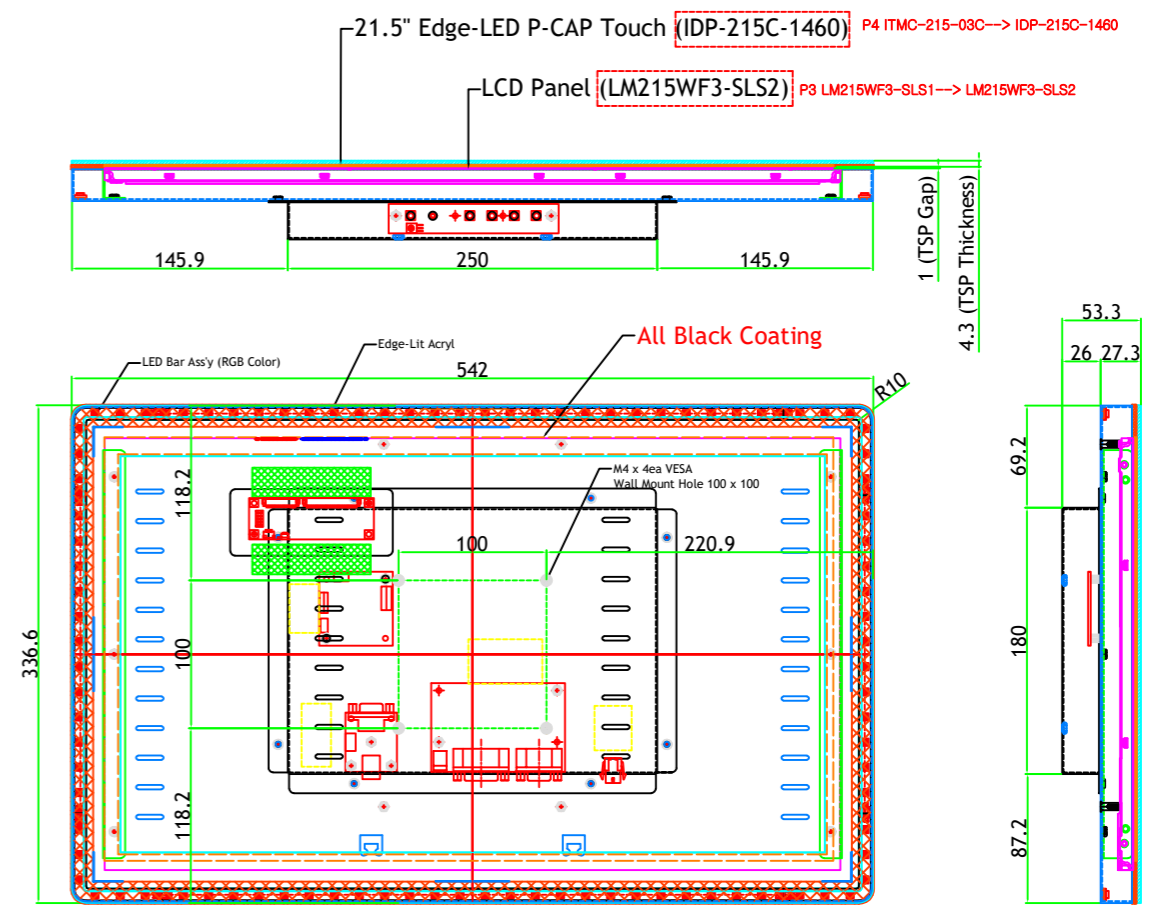
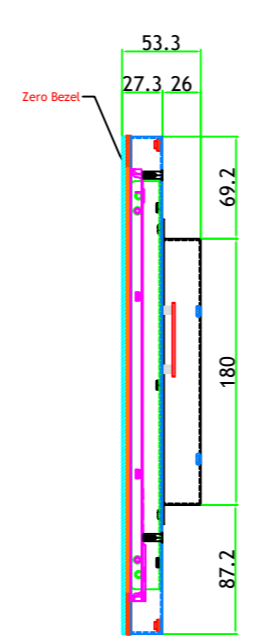
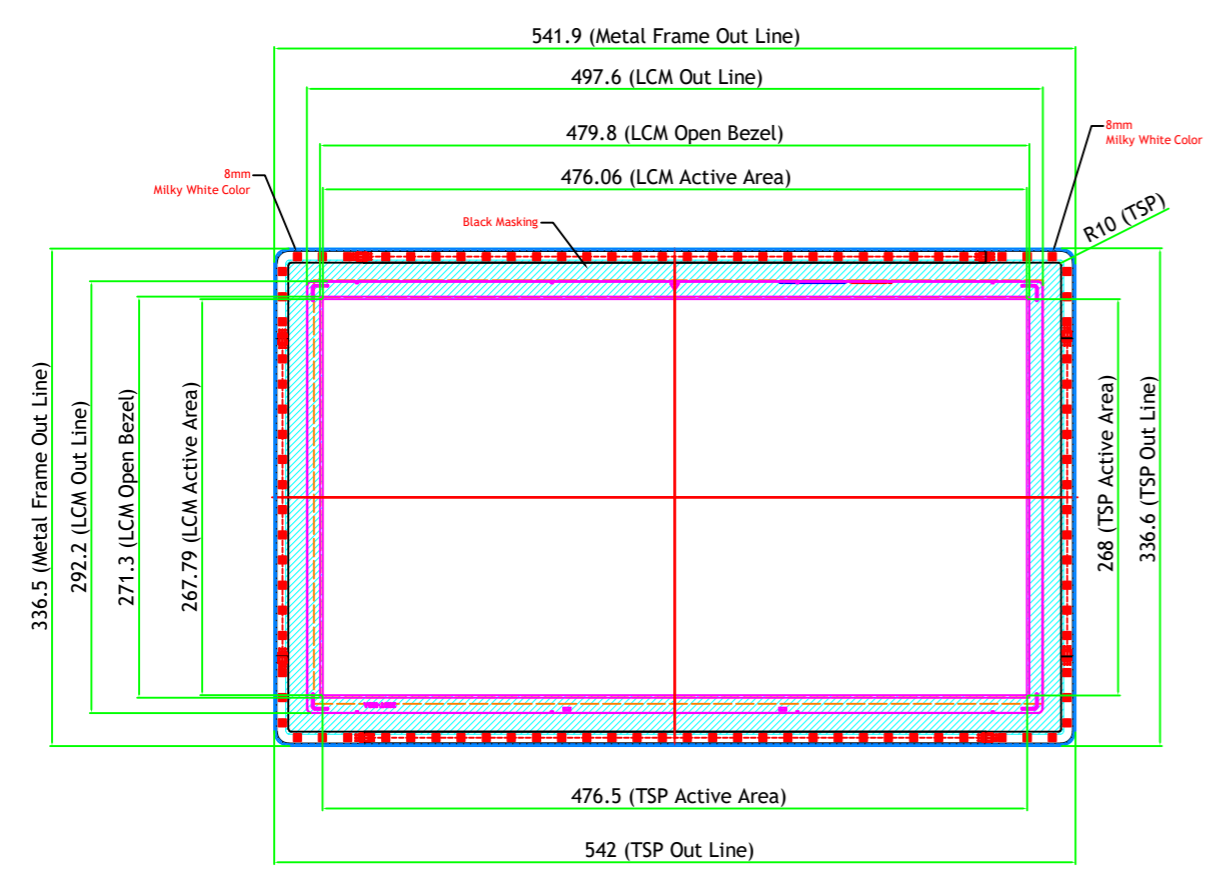


Rev	AMEND	DATE	CHECK	APPR.
P1	Proto	2019.04.11	H.I.Woo	H.Y.Sohn
P2	Changed I/O Port Name RGB Input ----> VGA Input	2019.05.28	H.I.Woo	H.Y.Sohn
P3	Changed LCD Panel LM215WF3-SLS1 ----> LM215WF3-SLS2 Changed Touchscreen ITMC-215-15C ----> ITIC-215-03C	2021.07.22	H.I.Woo	H.Y.Sohn
P4	Changed Touchscreen ITMC-215-03C ----> IDP-215C-1460	2023.05.25	H.I.Woo	H.Y.Sohn



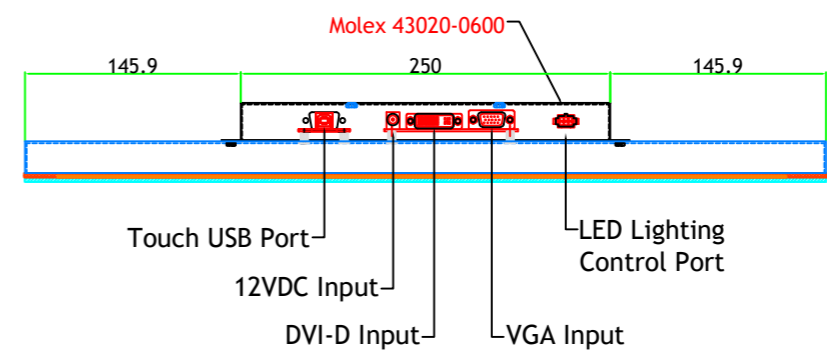
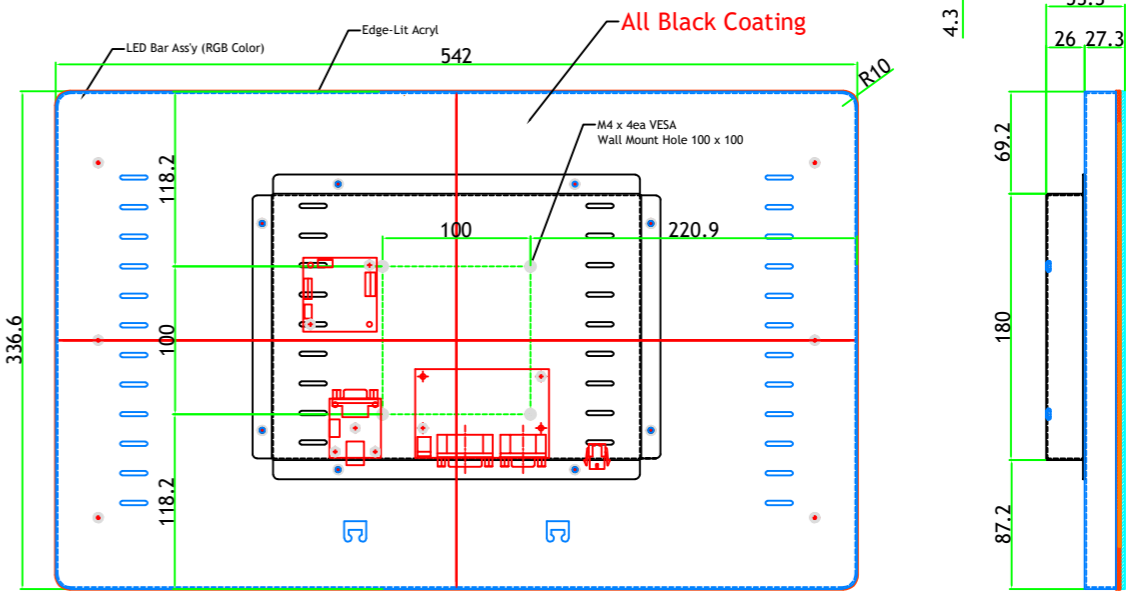
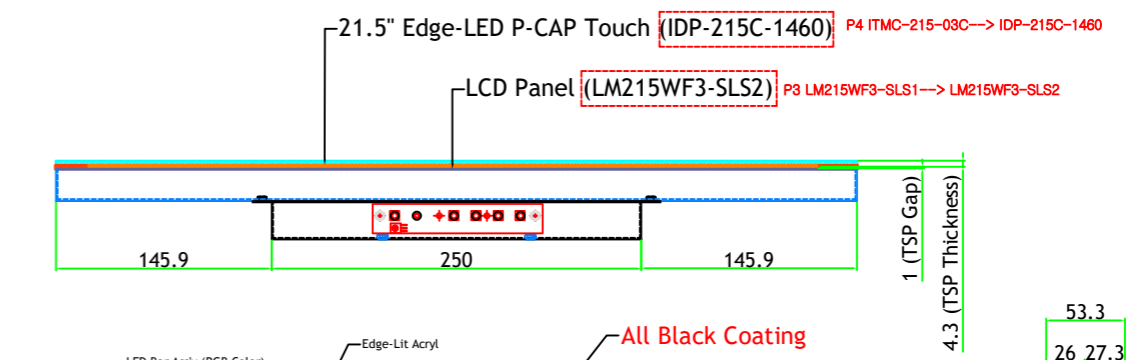
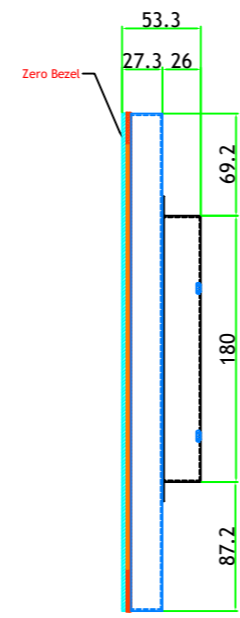
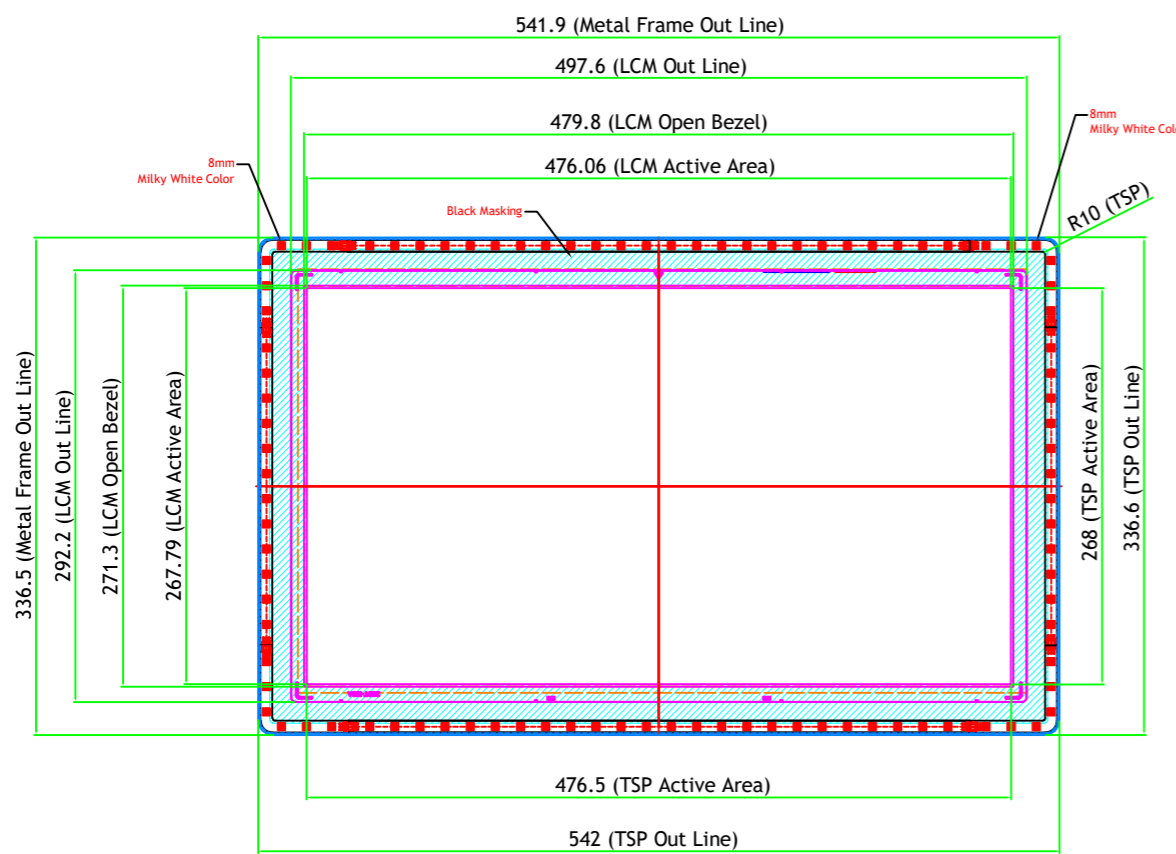
LED Lighting Control Port Pin Map (w/ IC)

#1 : VCC 5V , #2 : CTL , #3 : GND
 #4 : NC, #5 : NC, #6 : NC

Molex 43020-0600

SUZOHAPP			MODEL NO	150DLP2156	VIEW :	UNIT : mm	
			NAME	21.5" Closed Frame	Q'ty	1	REV.
DRAWN	CHECKED	APPROVED	DWG. NO	4M2153064-02	SCALE	1 / 1	
H.I.Woo		H.Y.Sohn	MATERIAL / FINISH	EGI T=1.2	DATE	2023.05.25	

Rev	AMEND	DATE	CHECK	APPR.
P1	Proto	2019.04.11	H.I.Woo	H.Y.Sohn
P2	Changed I/O Port Name RGB Input ----> VGA Input	2019.05.28	H.I.Woo	H.Y.Sohn
P3	Changed LCD Panel LM215WF3-SLS1 ----> LM215WF3-SLS2 Changed Touchscreen ITMC-215-15C ----> ITIC-215-03C	2021.07.22	H.I.Woo	H.Y.Sohn
P4	Changed Touchscreen ITMC-215-03C ----> IDP-215C-1460	2023.05.25	H.I.Woo	H.Y.Sohn



LED Lighting Control Port Pin Map (w/ IC)
 #1 : VCC 5V , #2 : CTL , #3 : GND
 #4 : NC, #5 : NC, #6 : NC

Molex 43020-0600

SUZOHAPP			MODEL NO	150DLP2156	VIEW :	UNIT : mm	
			NAME	21.5" Closed Frame	Q'ty	1	REV.
DRAWN	CHECKED	APPROVED	DWG. NO	4M2153064-02	SCALE	1 / 1	
H.I.Woo		H.Y.Sohn	MATERIAL / FINISH	EGI T=1.2	DATE	2023.05.25	

