

Assa Desmo Locks

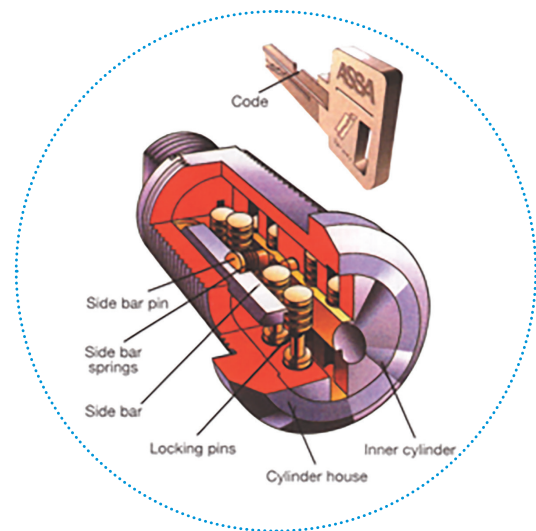
The Latest Pushbutton Series from SUZOHAPP



The Assa Desmo is a patented lock construction based on direct drive pins (no spring operation) making it particularly suitable for many operations in dirty and hostile environments. False cuts on the pins provide resistance to any currently known method of picking. A large key made from nickel silver provides many years of guaranteed comfortable handling. The Assa Desmo system is the effective way to prevent unauthorized manufacturing, cutting and distribution of key blanks, it also requires the most advanced and precise key cutting equipment in the lock industry.

Highlights

- ✓ 8-pin lock combined with two strong side bars
- ✓ Patent protected against unauthorized key duplication
- ✓ False cuts on the pins provide extra resistance to any known method of picking
- ✓ Large key made of nickel silver for lasting durability and comfortable operation
- ✓ Standard 90 degrees operation and key removable in locked position, optionally available with removable key in either locked or unlocked position
- ✓ Various collars available to adjust any mounting depth
- ✓ Switchlocks available in same keycode as standard camlocks
- ✓ Standard supplied with 32 mm cam, other sizes and models available



Part Number

Description

D1118KA*	Desmo lock 28.5 mm (1-1/8") - key alike
D1118KD	Desmo lock 28.5 mm (1-1/8") - key different
D1118KA-AD	Desmo lock 28.5 mm (1-1/8") - key alike 2 pull out positions
D1118KA2-AD	Desmo lock 28.5 mm (1-1/8") - key alike as set of 2 pieces 1 with 1 pull out position and 1 with 2 pull out positions

* Key alike, minimum quantity 25 pcs

Part Number

Description

DSW2000KA	Desmo switchlock 43.5 mm long - key alike
DSW2000KD	Desmo switchlock 43.5 mm long key different

Assa Desmo RC (Removable Core)

This version makes it possible to change the inner part where the key code is with the ease of a key operation, in literally seconds the core with the key code can be removed or installed in a lock housing with the use of the special management key from Assa Desmo. In case of lost operator key, changing the lock into another key-code is easy, fast and available at a fraction of the price of a complete new lock. An optionally supplied service tool makes it possible for service and manufacturing companies to open and close the lock comfortably as long as the final core with the key-code is not installed.

Highlights

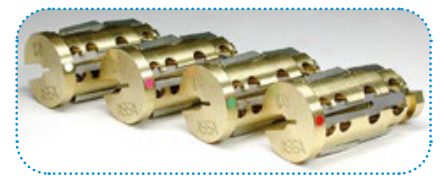
- ✓ 6-pin lock with two strong side bars
- ✓ Patent protected against unauthorised key duplication
- ✓ False cuts on the pins provide extra resistance to any known method of picking
- ✓ Easy to replace core by using a special management key, this management key has three different code heights available for the removal function
- ✓ To achieve an easy re-keying, the pins are mounted from one side and covered by a removable cover plate
- ✓ Large key made of nickel silver for lasting durability and comfortable operation
- ✓ Standard 90 degree operation and key removable in locked position, optional available with removable key in either locked or unlocked position
- ✓ Various collars available to adjust any mounting depth. Lock 1-1/8" 28 mm
- ✓ RC Switchlock available in same keycode as RC camlock
- ✓ Standard supplied with 3 mm cam, other sizes and models available



Assa Desmo Camlock with Removable Core



Assa Desmo Switchlock with Removable Core



Assa Desmo Removable Cores with Colour Identification



Assa Desmo RC Management Keys



Assa Desmo RC Operating Keys



Lock Spacer

Lock Spacer

Part Number	Description
D3001	Housing switchlock
D3118	Housing camlock
D4118-XXX	Core
D5001-XXX	Operator key
D5002-XXX	Management key

Part Number	Description
FC1	Lock spacer collar, 1.5 mm collar
FC2	Lock spacer collar, 2mm collar
FC3	Lock spacer collar, 3 mm collar
FC4	Lock spacer collar, 4 mm collar
FC5	Lock spacer collar, 5 mm collar
FC7	Lock spacer collar, 7 mm collar
FC10	Lock spacer collar, 10 mm collar

Minimum Serial Lock Order Policy

For new key-alike series: Minimum 25 Locks* For re-orders on existing series: Minimum 10 Locks (*Except by multiple series for example multi-player machines)

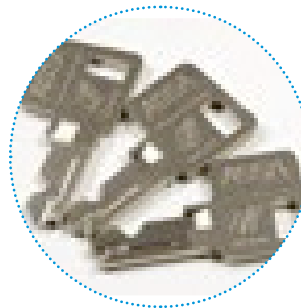
Desmo Lock AD390

Assa AD390 Series High Security Camlock

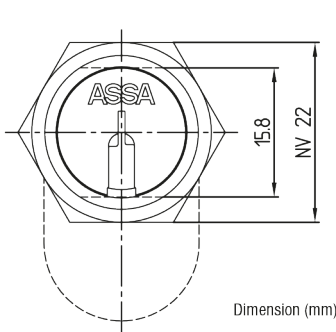
Features

- ✓ 6-pin lock with 2 strong side bars
- ✓ False cuts on pins provide extra resistance to any known method of picking
- ✓ Large Desmo key made of nickel silver for lasting durability and comfortable operation
- ✓ Standard 90 degrees operation and key only removable in locked position
- ✓ Can be used in cabinets with a material thickness up to 9 mm
- ✓ Cylinders of chrome plated brass
- ✓ Standard supplied with 32 mm cams, other sizes and models available
- ✓ Only available in 16 mm length (5/8")
- ✓ Available as key-alike locks or key different

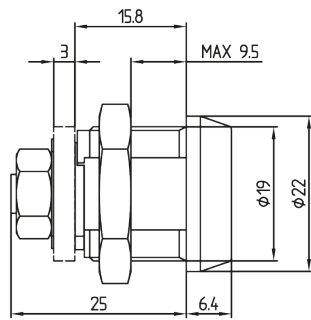
Key-alike locks are supplied with 5 keys per new series, key-different locks are supplied with 2 keys per lock



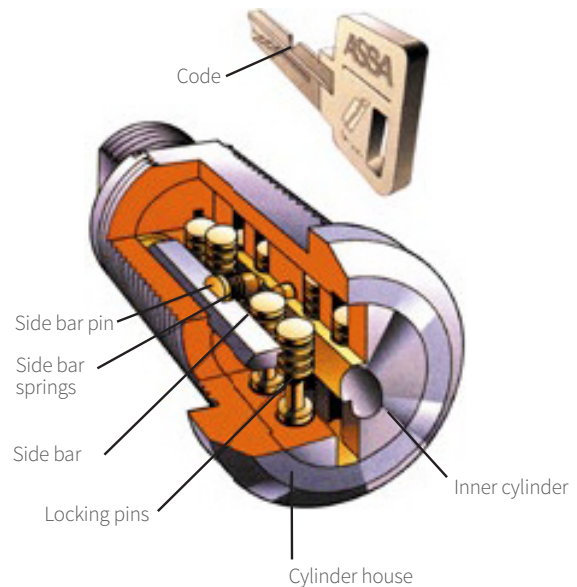
Technical Drawings



Dimension (mm)



Dimension mm



Part Number Description

D2058KD	Desmo AD390 - key different
D2058KA	Desmo AD390 - key alike - * specify quantity